

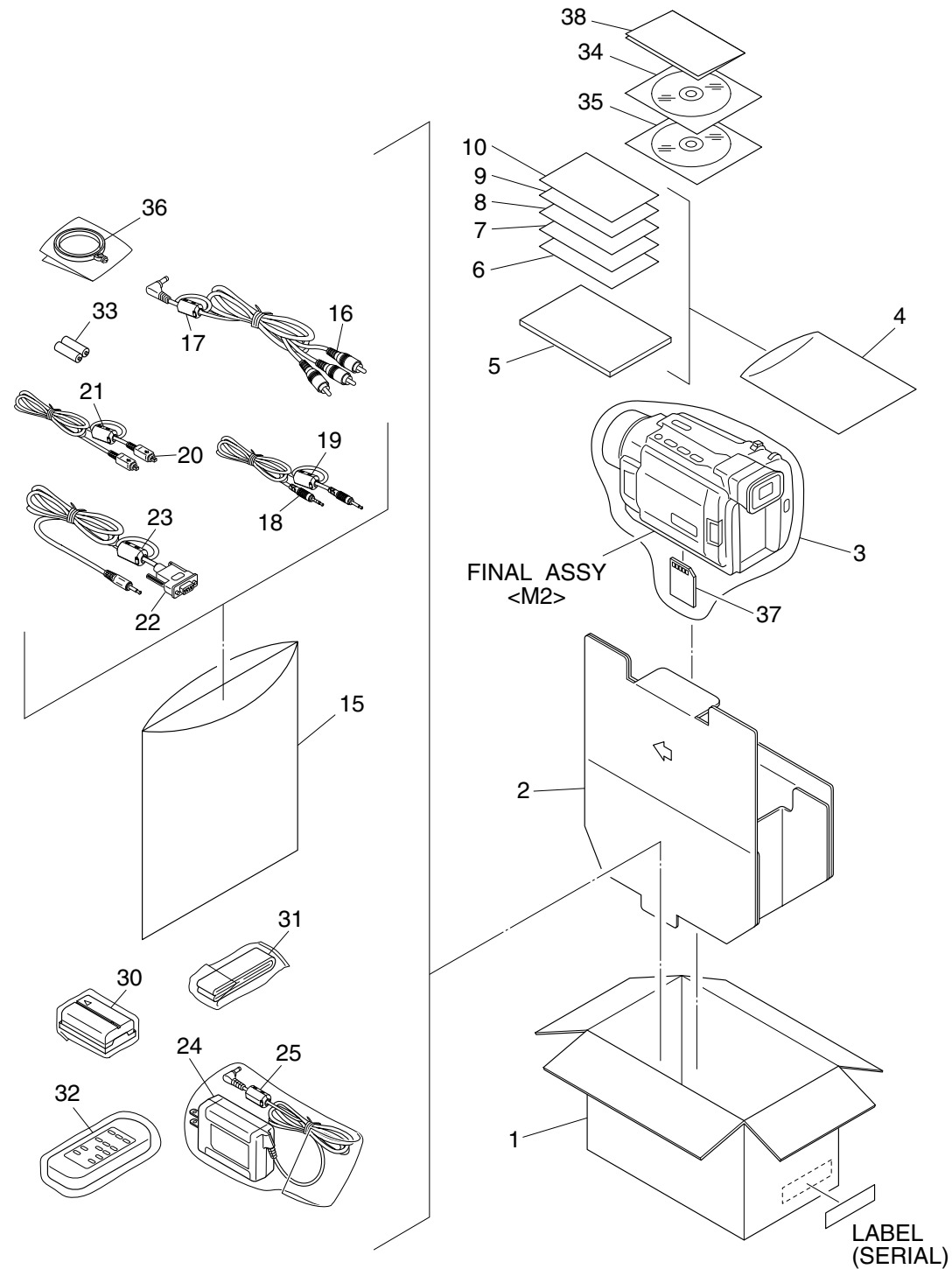
SECTION 5 PARTS LIST

SAFETY PRECAUTION

Parts identified by the \triangle symbol are critical for safety. Replace only with specified part numbers.

5.1 PACKING AND ACCESSORY ASSEMBLY <M1>

The instruction manual to be provided with this product will differ according to the destination.



\triangle REF No. PART No. PART NAME, DESCRIPTION

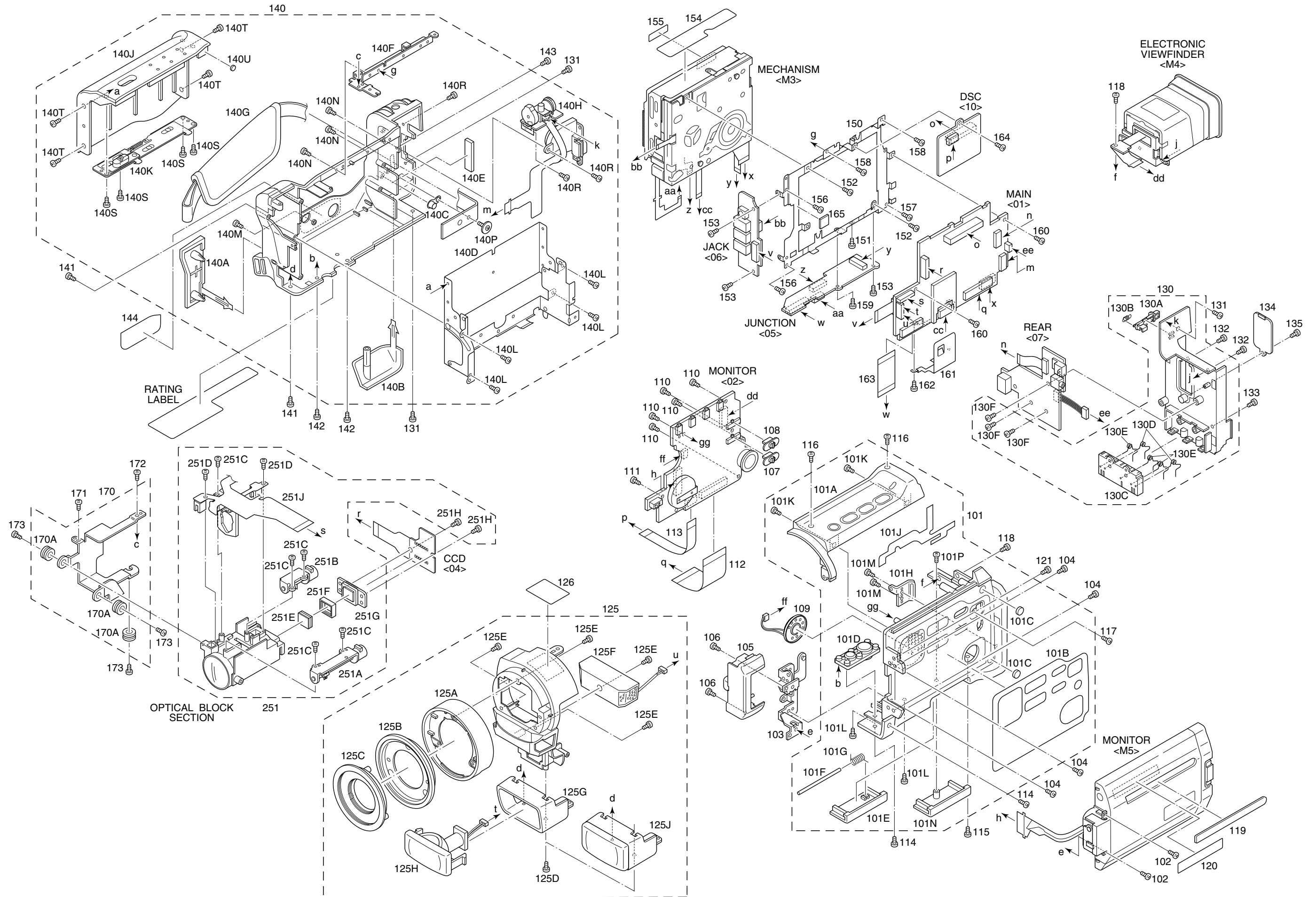
PACKING AND ACCESSORY ASSEMBLY <M1>

| | | |
|----------------|--------------|------------------------------------|
| 1 | LY32567-001A | PACKING CASE,B |
| | LY32567-001B | PACKING CASE,A |
| | LY32567-003A | PACKING CASE,G |
| | LY32567-006B | PACKING CASE,E,F |
| 2 | LY32568-001A | CUSHION |
| 3 | LY30023-008A | POLY BAG |
| 4 | QPA02003506 | POLY BAG |
| \triangle 5 | LYT0869-001A | INST.BOOK(EN),B |
| \triangle | LYT0869-001B | INST.BOOK(EN),E,G |
| \triangle | LYT0869-002A | INST.BOOK(FR),B |
| \triangle | LYT0869-002B | INST.BOOK(FR),E,G |
| \triangle | LYT0869-003A | INST.BOOK(SP),B |
| \triangle | LYT0869-003B | INST.BOOK(SP),E,G |
| \triangle | LYT0872-001A | INST.BOOK(EN),F |
| \triangle | LYT0872-002A | INST.BOOK(FR),F |
| \triangle | LYT0872-003A | INST.BOOK(SP),F |
| \triangle | LYT0946-001A | INST.BOOK(EN),A |
| \triangle | LYT0946-002A | INST.BOOK(FR),A |
| \triangle | LYT0946-003A | INST.BOOK(SP),A |
| \triangle 6 | LYT0873-001B | INST.BOOK(SOFT.EN),B |
| \triangle | LYT0873-003B | INST.BOOK(SOFT.FR),B |
| \triangle | LYT0873-005B | INST.BOOK(SOFT.SP),B |
| \triangle | LYT0912-001A | INST.BOOK(SOFT.EN),E,F,G |
| \triangle | LYT0912-003A | INST.BOOK(SOFT.FR),E,F,G |
| \triangle | LYT0912-005A | INST.BOOK(SOFT.SP),E,F,G |
| 7 | LYT0934-001A | SHEET(AGREMENT),B,E,F,G |
| 8 | YU10350 | Q.CARD(JCA) |
| 9 | BT-51005-5 | WARRANTY INF. |
| 10 | LYT0974-001A | SHEET(ATT.),B |
| 15 | QPA01703005 | POLY BAG |
| 16 | QAM0211-001 | CABLE ASSY,AUDIO/VIDEO CABLE |
| 17 | QQR0918-002 | CORE FILTER |
| 18 | PEAC0428-150 | CABLE ASSY,EDITING CABLE,F,G |
| 19 | QQR0491-002 | CORE FILTER,F,G |
| 20 | QAM0324-001 | USB CABLE,E,F,G |
| 21 | QQR0918-002 | CORE FILTER,E,F,G |
| 22 | QAM0084-001 | PC CONNECTION CABLE,B |
| 23 | QQR0491-002 | CORE FILTER,B |
| \triangle 24 | LY20848-001B | AC ADAPTER,AP-V12U |
| 25 | QQR0490-002 | CORE FILTER |
| \triangle 30 | LY32566-001A | BATTERY PACK ASSY,BN-V408U-B |
| 31 | LY20186-001A | SHOULDER STRAP |
| 32 | LY20750-001A | REMOTE CONTROL UNIT,RM-V717U,F,G |
| | LY42129-001A | REMOTE CONTROL UNIT,RM-V715U,A,B,E |
| 33 | - | BATTERY,AAA(R03),X2 |
| 34 | LY32210-022A | CD ROM ASSY,B |
| | LY32210-023A | CD ROM ASSY,E,F,G |
| 35 | LY32210-009A | CD ROM ASSY |
| 36 | LY43294-002A | CAP(HOOD)ASSY |
| 37 | QAM0404-002 | MEMORY CARD,8MB(SD),E,F,G |
| 38 | BT-51028-1 | REGIST.CARD |

| MODEL | MARK |
|------------|------|
| GR-DVL220U | A |
| GR-DVL320U | B |
| GR-DVL520U | E |
| GR-DVL522U | F |
| GR-DVL720U | G |

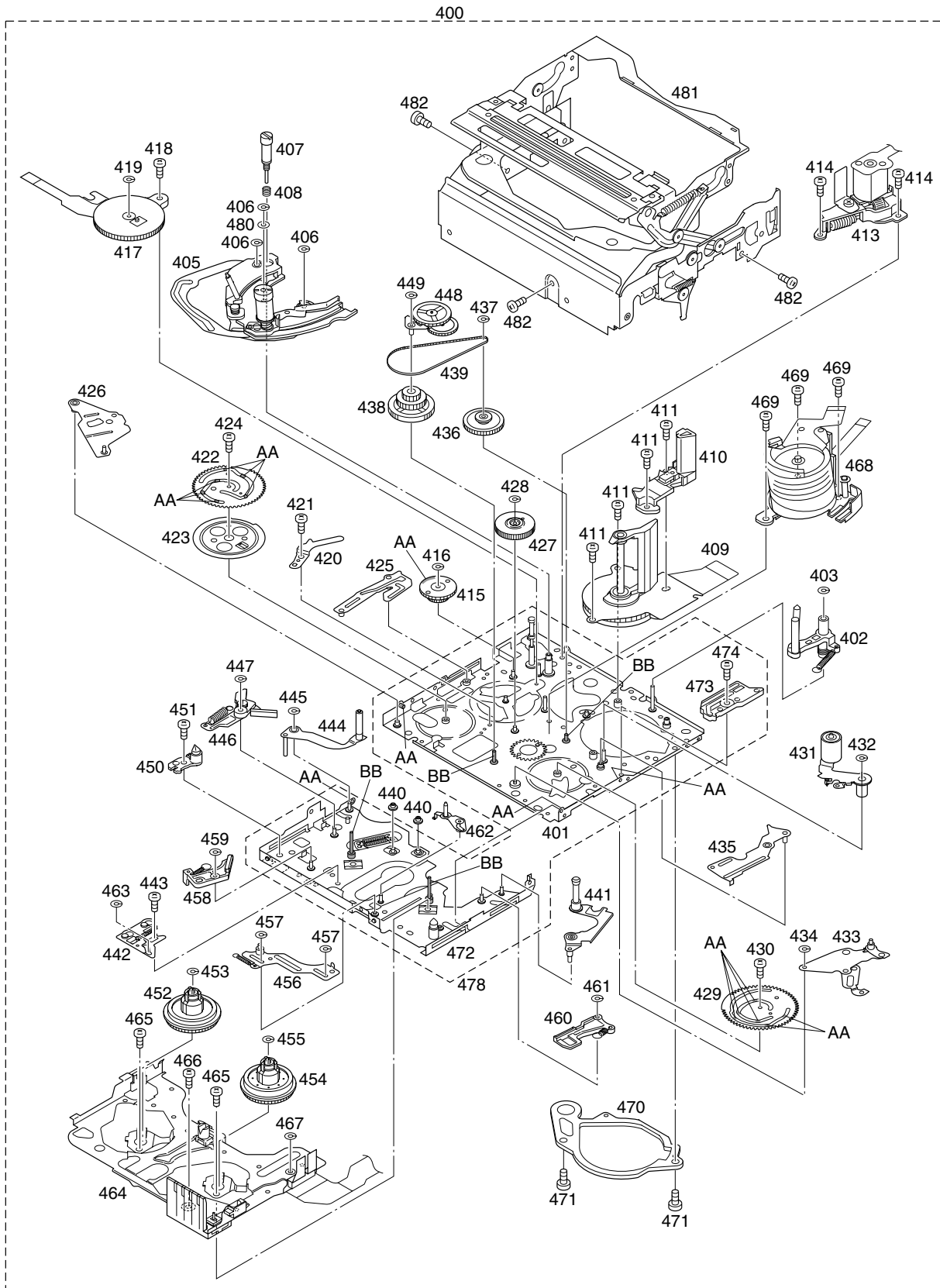
• INSTRUCTIONS
EN ENGLISH
FR FRENCH
SP SPANISH

5.2 FINAL ASSEMBLY <M2>



| # | △ | REF No. | PART No. | PART NAME, DESCRIPTION | # | △ | REF No. | PART No. | PART NAME, DESCRIPTION |
|----------------------------------|---|---------|---------------|--------------------------------------|----------------------------------|---|---------|---------------|-----------------------------------|
| ***** | | | | | | | | | |
| FINAL ASSEMBLY <M2> | | | | | | | | | |
| 101 | | | LY20774-001B | UPPER CASE(2.5)ASSY,B | 130C | | | LY32409-001A | TERMINAL BASE |
| | | | LY20774-002B | UPPER CASE(2.5)ASSY,A | 130D | | | LY43291-001A | TERMINAL(R),X2 |
| | | | LY20774-003B | UPPER CASE(2.5)ASSY,E,F | 130E | | | LY43290-001A | TERMINAL(L),X3 |
| | | | LY20797-001B | UPPER CASE(3.5)ASSY,G | 130F | | | LY30018-084A | SPECIAL SCREW,X3 |
| 101A | | | LY20775-001A | TOP COVER(2.5),A,B,E,F | 131 | | | LY30018-084A | SPECIAL SCREW,X3 |
| | | | LY20776-001A | TOP COVER(3.5),G | 132 | | | LY30018-0C9A | SPECIAL SCREW,X2 |
| 101B | | | LY32371-001A | PLATE(UPPER),E,F,G | 133 | | | LY30018-0C9A | SPECIAL SCREW |
| | | | LY32371-002A | PLATE(UPPER),B | 134 | | | LY41691-001A | COVER(JIG) |
| | | | LY32371-004A | PLATE(UPPER),A | 135 | | | LY30018-037A | SPECIAL SCREW |
| 101C | | | LY40664-001A | SPACER,X2 | 140 | | | LY20769-002B | LOWER CASE ASSY,A,B |
| 101D | | | LY31019-001A | BASE | | | | LY20769-003B | LOWER CASE ASSY,E,F,G |
| 101E | | | LY32375-001A | COVER(SD),E,F,G | 140A | | | LY32363-001A | COVER(JACK) |
| 101F | | | LY43292-001A | SHAFT,E,F,G | 140B | | | LY32364-001A | COVER(DC) |
| 101G | | | LY43293-001A | SPRING,E,F,G | 140C | | | LY40592-001A | CAP(GRIP BELT) |
| 101H | | | LY43261-001A | HOOK(UPPER) | 140D | | | LY20770-001A | ARM ASSY |
| 101J | | | LY43540-001A | EARTH SHEET(2.5),A,B,E,F | 140E | | | LY30029-0T9A | SPACER(A) |
| | | | LY43541-001A | EARTH SHEET(3.5),G | 140F | | | LY32365-001A | PLATE |
| 101K | | | LY30018-023A | SPECIAL SCREW,X2 | 140G | | | LY20780-001A | GRIP BELT |
| 101L | | | LY30018-084A | SPECIAL SCREW,X2 | 140H | | | LY10304-001A | ZOOM UNIT |
| 101M | | | LY30018-038A | SPECIAL SCREW,X2,G | 140J | | | LY10309-001A | CASSETTE COVER |
| | | | LY30018-084A | SPECIAL SCREW,X2,A,B,E,F | 140K | | | LY43254-001A | LOCK ASSY |
| 101N | | | LY32376-001A | COVER(SD)DUMMY,A,B | 140L | | | LY30018-084A | SPECIAL SCREW,X4 |
| 101P | | | LY30018-023A | SPECIAL SCREW,A,B | 140M | | | LY30018-038A | SPECIAL SCREW |
| 102 | | | LY30018-0D6A | SPECIAL SCREW,X2 | 140N | | | LY30018-038A | SPECIAL SCREW,X3 |
| 103 | | | LY32373-001A | BRACKET(MONITOR) | 140P | | | LY30018-0D1A | SPECIAL SCREW |
| 104 | | | LY30018-066A | SPECIAL SCREW,X4 | 140R | | | LY30018-084A | SPECIAL SCREW,X3 |
| 105 | | | LY20777-001A | COVER(HINGE) | 140S | | | LY30018-023A | SPECIAL SCREW,X4 |
| 106 | | | LY30018-047A | SPECIAL SCREW,X2 | 140T | | | LY30018-038A | SPECIAL SCREW,X4 |
| 107 | | | LY43263-001A | KNOB(SLIDE),B,E,F,G | 140U | | | LY43609-001A | SPACER(B) |
| 108 | | | LY43263-002A | KNOB(SLIDE),E,F,G | 141 | | | LY30018-084A | SPECIAL SCREW,X2 |
| 109 | | | QAS0048-001 | SPEAKER | 142 | | | LY30018-084A | SPECIAL SCREW,X2 |
| 110 | | | LY30018-023A | SPECIAL SCREW,X5 | 143 | | | LY30018-0C9A | SPECIAL SCREW |
| 111 | | | LY30018-047A | SPECIAL SCREW | 144 | | | LY43256-001A | PLATE(ADJUST) |
| 112 | | | QUQ105-4007AA | FFC WIRE,MONI CN761-MAIN CN101 | 145 | | | LY20778-001A | BRACKET(MECHA) |
| 113 | | | QUQ105-1011AA | FFC WIRE,MONI CN762-DSC CN8002,E,F,G | 150 | | | YQ43893-4 | MINI SCREW |
| 114 | | | LY30018-084A | SPECIAL SCREW,X2 | 151 | | | LY30019-026A | SPECIAL SCREW,X2 |
| 115 | | | LY30018-084A | SPECIAL SCREW | 152 | | | QYSPSPT1730R | SCREW,X3 |
| 116 | | | LY30018-047A | SPECIAL SCREW,X2 | 153 | | | LY40698-002A | LABEL(HOUSING) |
| 117 | | | LY30018-047A | SPECIAL SCREW | 154 | | | LY40699-002A | LABEL(PUSH) |
| 118 | | | LY30018-064A | SPECIAL SCREW,X2 | 155 | | | LY30018-084A | SPECIAL SCREW,X2 |
| 119 | | | LY32378-009A | WINDOW(MONI2.5),A,B,E,F | 156 | | | LY30018-066A | SPECIAL SCREW |
| | | | LY32379-005A | WINDOW(MONI3.5),G | 157 | | | LY30018-066A | SPECIAL SCREW,X2 |
| 120 | | | LY43566-001A | STICKER(SIDE),A | 158 | | | LY30018-038A | SPECIAL SCREW |
| | | | LY43566-002A | STICKER(SIDE),B | 159 | | | LY30019-038A | SPECIAL SCREW,X2 |
| | | | LY43566-003A | STICKER(SIDE),E,F,G | 160 | | | LY32081-001A | SHIELD PLATE |
| 121 | | | LY30018-084A | SPECIAL SCREW | 161 | | | YQ43893-4 | MINI SCREW |
| 125 | | | LY32382-001A | FRONT COVER ASSY,B,E,F,G | 162 | | | WJT0066-001A | E-CARD WIRE,MAIN CN113-JUNC CN571 |
| | | | LY32382-002A | FRONT COVER ASSY,A | 163 | | | LY30019-038A | SPECIAL SCREW,E,F,G |
| 125A | | | LY32383-001A | HOOD | 164 | | | LY30029-0V6A | SPACER(A) |
| 125B | | | LY32384-001A | RING | 165 | | | LY43257-001B | BRACKET(OP)ASSY |
| 125C | | | LY32385-001A | HOOD(SCREW) | 170A | | | LY42796-001A | BUSH,X3 |
| 125D | | | LY30018-084A | SPECIAL SCREW | 171 | | | LY30018-084A | SPECIAL SCREW |
| 125E | | | LY30018-0A7A | SPECIAL SCREW,X4 | 172 | | | LY30018-066A | SPECIAL SCREW |
| 125F | | | LY32343-001A | MIC | 173 | | | LY30019-029B | SPECIAL SCREW,X3 |
| 125G | | | LY32388-001A | BASE(LIGHT),B,E,F,G | - OPTICAL BLOCK SECTION - | | | | |
| 125H | | | LY32338-001A | DC LIGHT ASSY,B,E,F,G | 251 | | | J7A-153A | OPTICAL BLOCK ASSY |
| 125J | | | LY32410-001A | COVER(LIGHT),A | 251A | | | LY30723-001B | ZOOM MOTOR |
| 126 | | | LY43567-001A | STICKER(TOP),A,B | 251B | | | LY30724-001B | FOCUS MOTOR |
| | | | LY43567-005A | STICKER(TOP),E,F,G | 251C | | | LY30727-002A | SCREW,X5 |
| 130 | | | LY10317-001A | REAR UNIT | 251D | | | LY30727-001A | SCREW,X2 |
| 130A | | | LY32408-001A | KNOB(BATT.RELE) | 251E | | | LY42936-001A | OPTICAL LPF |
| 130B | | | LY30001-018A | TENSION SPRING | 251F | | | LY31639-003A | SPACER RUBBER |
| | | | | | 251G | | | LYH30375-002A | CCD BASE ASSY |
| | | | | | 251H | | | QYSPSGU1750Z | SCREW,X2 |
| | | | | | 251J | | | LY32560-001A | IRIS MOTOR |

5.3 MECHANISM ASSEMBLY <M3>



| Classification | Part No. | Symbol in drawing |
|----------------|------------|-------------------|
| Grease | KYODO-SH-P | AA |
| Oil | YTU94027 | BB |

NOTE:The section marked in **AA** and **BB** indicate lubrication and greasing areas.

▲ REF No. PART No. PART NAME, DESCRIPTION

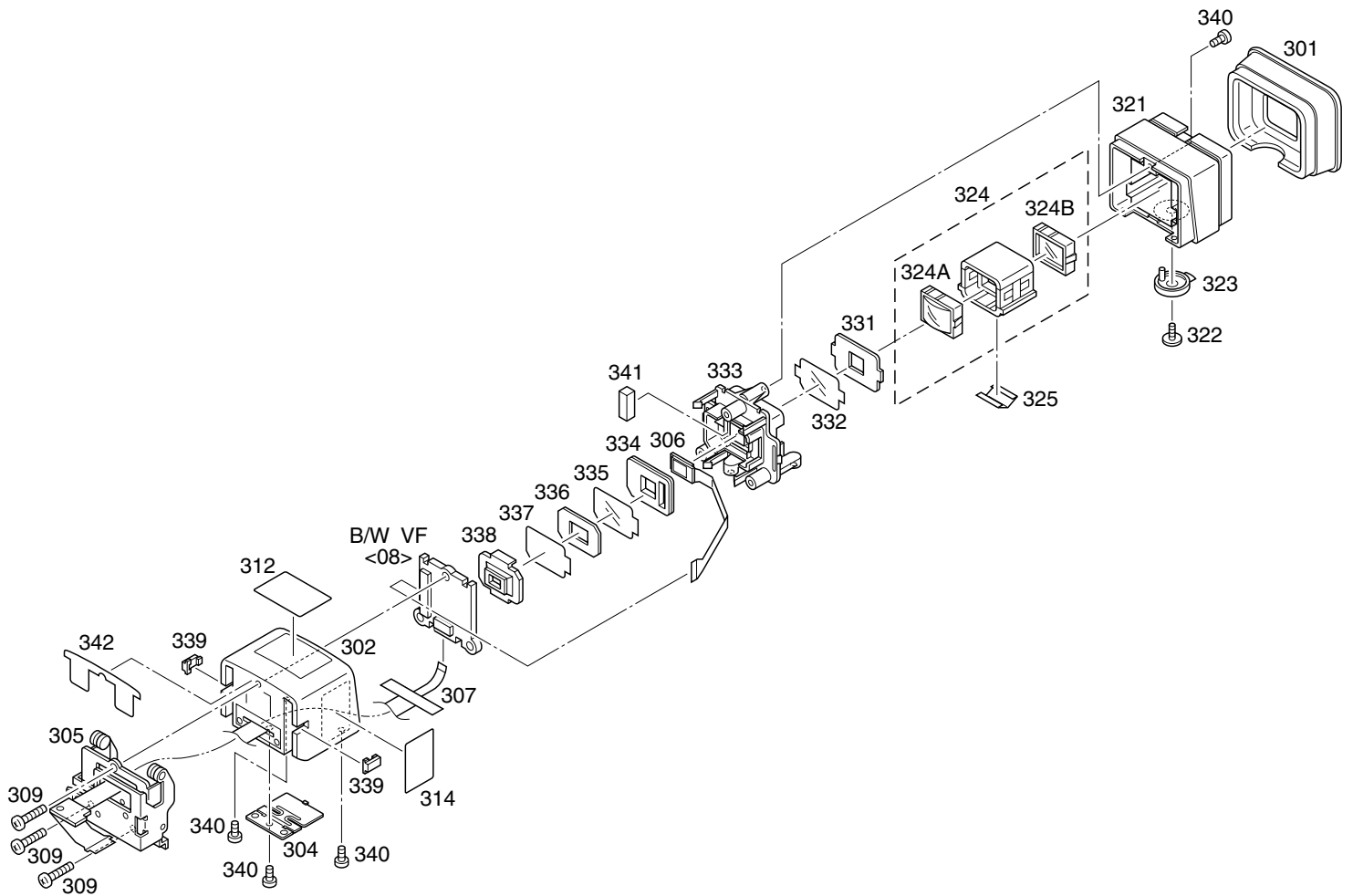
MECHANISM ASSEMBLY <M3>

| | | |
|-----|--------------|----------------------------|
| 400 | YMA0025VCC/E | MECHA(A)ASSY |
| 401 | LY10240-001D | MAIN DECK ASSY |
| 402 | LY30436-001J | SLANT POLE ARM ASSY |
| 403 | YQ44246 | SLIT WASHER |
| 405 | LY10080-001V | RAIL ASSY |
| 406 | YQ44246 | SLIT WASHER,X3 |
| 407 | LY40353-001D | GUIDE ROLLER(S)ASSY |
| 408 | LY30002-006C | COMPRESSION SPRING |
| 409 | QAR0026-002 | CAPSTAN MOTOR |
| 410 | LY30504-001C | CATCHER(T)ASSY |
| 411 | YQ43893 | MINI SCREW,X4 |
| 413 | LY30448-001E | MOTOR BRACKET ASSY |
| 414 | YQ43893 | MINI SCREW,X2 |
| 415 | LY31840-001A | WORM WHEEL |
| 416 | YQ44246 | SLIT WASHER |
| 417 | LY40496-001C | ROTARY ENCODER |
| 418 | YQ43893 | MINI SCREW |
| 419 | YQ44246 | SLIT WASHER |
| 420 | LY42632-001A | GEAR HOLDER |
| 421 | YQ43893-6 | MINI SCREW |
| 422 | LY31841-001A | MAIN CAM |
| 423 | LY31842-001A | BRAKE CONTROL PLATE |
| 424 | YQ43893 | MINI SCREW |
| 425 | LY42633-001A | TAKE UP CONTROL LEVER ASSY |
| 426 | LY31844-001A | SLIDE LEVER ASSY |
| 427 | LY31846-001A | CONNECT GEAR |
| 428 | YQ44246 | SLIT WASHER |
| 429 | LY31847-001A | SUB CAM |
| 430 | YQ43893 | MINI SCREW |
| 431 | LY31785-001A | PINCHI ROLLER ARM UNIT |
| 432 | YQ44246 | SLIT WASHER |
| 433 | LY31850-001A | CHARGE ARM ASSY |
| 434 | YQ44246 | SLIT WASHER |
| 435 | LY42643-001A | BRAKE CONTROL LEVER ASSY |
| 436 | LY42645-001A | REEL DRIVE PULLEY ASSY |
| 437 | YQ44246-2 | SLIT WASHER |
| 438 | LY40391-002B | CENTER GEAR ASSY |
| 439 | LY40396-001A | TIMING BELT |
| 440 | LY40413-001A | COLLAR,X2 |
| 441 | LY31854-001A | GUIDE ARM ASSY |
| 442 | LY31786-001A | SLIDE GUIDE PLATE UNIT |
| 443 | YQ43893-2 | MINI SCREW |
| 444 | LY42651-001B | TENSION ARM ASSY |
| 445 | YQ44246 | SLIT WASHER |
| 446 | LY30471-001D | PAD ARM ASSY |
| 447 | YQ44246 | SLIT WASHER |
| 448 | LY42745-001A | IDLER ARM ASSY |
| 449 | YQ44246-2 | SLIT WASHER |
| 450 | LY31861-001A | GUIDE PIN(SUPPLY) |
| 451 | YQ43893 | MINI SCREW |
| 452 | LY40441-001B | REEL DISK(SUPPLY)ASSY |
| 453 | YQ44246 | SLIT WASHER |
| 454 | LY40443-001B | REEL DISK(TAKE UP)ASSY |
| 455 | YQ44246 | SLIT WASHER |
| 456 | LY31788-001A | CONTROL PLATE UNIT |
| 457 | YQ44246 | SLIT WASHER,X2 |
| 458 | LY40444-001E | LOADING BRAKE ASSY |
| 459 | YQ44246 | SLIT WASHER |
| 460 | LY40452-001C | SUB BRAKE ASSY |

▲ REF No. PART No. PART NAME, DESCRIPTION

| | | |
|-----|--------------|-----------------------|
| 461 | YQ44246 | SLIT WASHER |
| 462 | LY31863-001B | RELEASE GUIDE ASSY |
| 463 | YQ44246 | SLIT WASHER |
| 464 | LY20146-001H | REEL COVER ASSY |
| 465 | YQ43893-4 | MINI SCREW,X2 |
| 466 | YQ43893 | MINI SCREW |
| 467 | YQ44246 | SLIT WASHER |
| 468 | YDV2086S(CX) | DRUM ASSY |
| 469 | YQ43893 | MINI SCREW,X3 |
| 470 | LY20630-001A | PWB HOLDER |
| 471 | YQ43893 | MINI SCREW,X2 |
| 472 | LY10242-001A | SLIDE DECK ASSY |
| 473 | LY31833-001A | LOADING GUIDE |
| 474 | YQ43893 | MINI SCREW |
| 478 | LY31832-001D | DECK ASSY |
| 480 | LY41573-001A | WASHER |
| 481 | LY31867-001B | CASSETTE HOUSING ASSY |
| 482 | YQ43893-4 | MINI SCREW,X3 |

5.4 ELECTRONIC VIEWFINDER ASSEMBLY <M4>



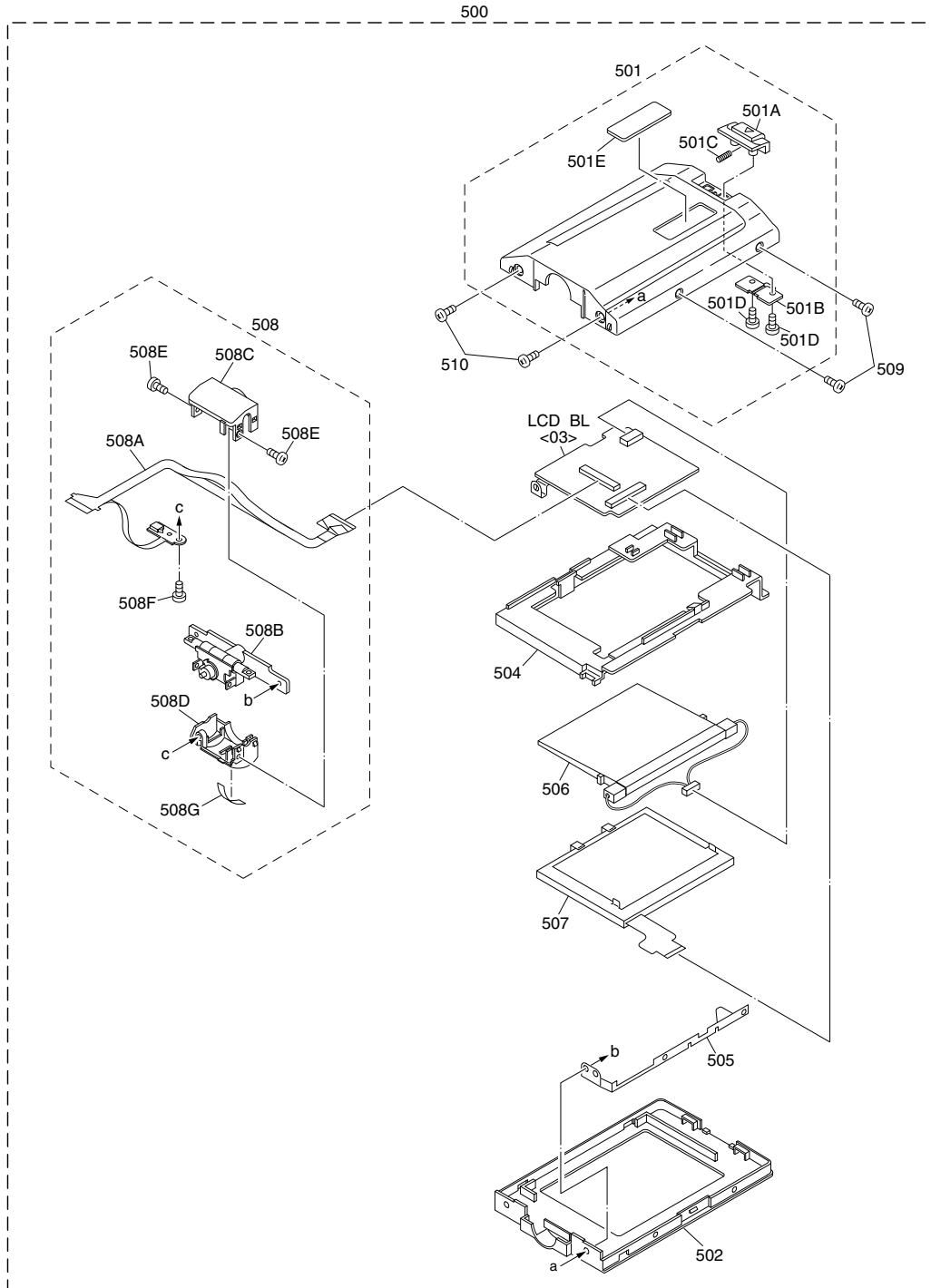
▲ REF No. PART No. PART NAME, DESCRIPTION

ELECTRONIC VIEWFINDER ASSEMBLY <M4>

| | | |
|-----|--------------|------------------|
| 301 | LY32349-001A | EYE CUP |
| 302 | LY20766-001A | CASE A(VF) |
| 304 | LY32351-001A | CAP(VF) |
| 305 | LY20824-001B | VF HINGE ASSY |
| 306 | QLD0193-001 | LCD MODULE |
| 307 | QAL0380-002 | FPC |
| 309 | LY30018-0F1A | SPECIAL SCREW,X3 |
| 312 | LY41701-002A | SHEET(CAUTION)1 |
| 314 | LY43041-002A | LABEL(VF) |
| 321 | LY20767-001B | CASE B(VF) |
| 322 | LY30019-037A | SPECIAL SCREW |
| 323 | LY43231-001B | LEVER(VF) |

| | | |
|-------------|--------------|------------------------|
| # ▲ REF No. | PART No. | PART NAME, DESCRIPTION |
| 324 | LY32472-002A | LENS ASSY |
| 324A | LY43356-001A | LENS(A) |
| 324B | LY43357-001A | LENS(B) |
| 325 | LY43404-001A | SPRING(VF) |
| 331 | LY43236-001A | SHEET |
| 332 | LY43246-001A | SHEET2(POLA) |
| 333 | LY32347-001B | HOLDER LCD(VF) |
| 334 | LY43245-001A | SHEET(CUSION) |
| 335 | LY43234-001A | SHEET1(POLA) |
| 336 | LY43232-001A | SHEET(VF) |
| 337 | LY43235-001A | SHEET(DIFF) |
| 338 | LY43238-001A | HOLDER(LED) |
| 339 | LY43239-001A | GUIDE(VF),X2 |
| 340 | LY30018-060A | SPECIAL SCREW,X4 |
| 341 | LY30029-0U6A | SPACER(A) |
| 342 | LY43489-001B | PLATE(VF) |

5.5 MONITOR ASSEMBLY <M5> [GR-DVL220U, 320U, 520U, 522U]



▲ REF No. PART No. PART NAME, DESCRIPTION

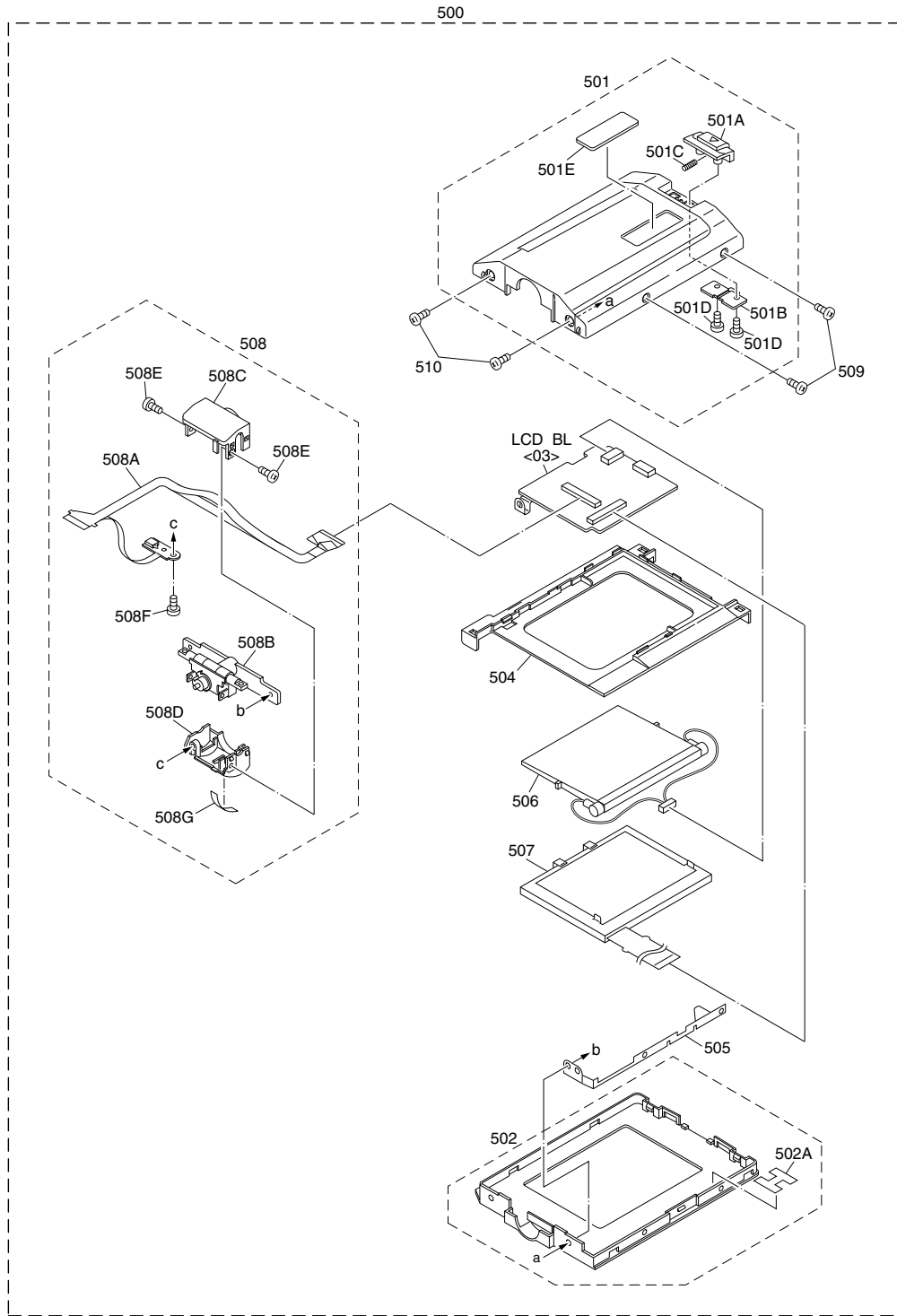
MONITOR ASSEMBLY <M5>

| # | REF No. | PART No. | PART NAME, DESCRIPTION |
|------|---------------|----------|----------------------------|
| 500 | LYH20246-036B | | MONITOR ASSY,A,B |
| | LYH20246-040B | | MONITOR ASSY,E,F |
| 501 | LY20808-001A | | MONITOR COVER(2.5)ASSY,A,B |
| | LY20808-002A | | MONITOR COVER(2.5)ASSY,E,F |
| 501A | LY31620-004A | | KNOB(LOCK 1) |
| 501B | LY42180-002A | | KNOB(LOCK 2) |
| 501C | LY30002-044A | | COMPRESSION SPRING |
| 501D | LY30018-084A | | SPECIAL SCREW,X2 |
| 501E | LY42883-001A | | MARK |
| 502 | LY10264-001A | | MONITOR CASE(2.5) |

▲ REF No. PART No. PART NAME, DESCRIPTION

| | | |
|------|--------------|------------------|
| 504 | LY20674-001A | HOLDER(2.5) |
| 505 | LY31622-001A | BRACKET(EARTH) |
| 506 | QLL0121-001 | BACK LIGHT |
| 507 | QLD0154-001 | LCD MODULE |
| 508 | LY32695-001A | MONITOR FPC ASSY |
| 508A | LY32574-001A | MONITOR FPC ASSY |
| 508B | LY32079-001A | HINGE ASSY |
| 508C | LY32380-001A | HINGE COVER(U) |
| 508D | LY32381-001A | HINGE COVER(L) |
| 508E | LY30018-058A | SPECIAL SCREW,X2 |
| 508F | LY30018-023A | SPECIAL SCREW |
| 508G | LY30029-0Q5A | SPACER(A) |
| 509 | QYSPSPT1730R | SCREW,X2 |
| 510 | LY30018-0F2A | SPECIAL SCREW,X2 |

5.5 MONITOR ASSEMBLY <M5> [GR-DVL720U]



▲ REF No. PART No. PART NAME, DESCRIPTION

MONITOR ASSEMBLY <M5>

| | | |
|------|---------------|------------------------|
| 500 | LYH20246-037B | MONITOR ASSY |
| 501 | LY20809-002A | MONITOR COVER(3.5)ASSY |
| 501A | LY31620-004A | KNOB(LOCK 1) |
| 501B | LY42180-002A | KNOB(LOCK 2) |
| 501C | LY30002-044A | COMPRESSION SPRING |
| 501D | LY30018-084A | SPECIAL SCREW,X2 |
| 501E | LY42883-001A | MARK |
| 502 | LY20598-002A | MONITOR CASE ASSY |
| 502A | LY42388-001A | EARTH MON(2) |

▲ REF No. PART No. PART NAME, DESCRIPTION

| | | |
|------|--------------|------------------|
| 504 | LY20568-001A | HOLDER(3.5PWB) |
| 505 | LY31622-001A | BRACKET(EARTH) |
| 506 | QLL0123-001 | BACK LIGHT |
| 507 | QLD0203-001 | LCD MODULE |
| 508 | LY32695-001A | MONITOR FPC ASSY |
| 508A | LY32574-001A | MONITOR FPC ASSY |
| 508B | LY32079-001A | HINGE ASSY |
| 508C | LY32380-001A | HINGE COVER(U) |
| 508D | LY32381-001A | HINGE COVER(L) |
| 508E | LY30018-058A | SPECIAL SCREW,X2 |
| 508F | LY30018-023A | SPECIAL SCREW |
| 508G | LY30029-0Q5A | SPACER(A) |
| 509 | QYSPST1730R | SCREW,X2 |
| 510 | LY30018-0F2A | SPECIAL SCREW,X2 |

5.6 ELECTRICAL PARTS LIST

| MODEL | MARK | MODEL | MARK |
|------------|------|------------|------|
| GR-DVL220U | A | GR-DVL522U | F |
| GR-DVL320U | B | GR-DVL720U | G |
| GR-DVL520U | E | | |

Δ REF No. PART No. PART NAME, DESCRIPTION

MAIN BOARD ASSEMBLY <01>

| | | |
|----------|--------------------|-----------------------|
| PW1 | YB10359A-01 | MAIN BOARD ASSY,B |
| | YB10359B-01 | MAIN BOARD ASSY,A |
| | YB10359C-01 | MAIN BOARD ASSY,E |
| | YB10359C-02 | MAIN BOARD ASSY,F,G |
| IC1001 | UPD703039F1-A22 | IC(MICRO C ROM),A,B |
| | UPD703039F1-A25 | IC(MICRO C ROM),E,F,G |
| | or UPD70F3040F1A22 | IC(MICRO C ROM),A,B |
| | or UPD70F3040F1A25 | IC(MICRO C ROM),E,F,G |
| IC1002 | RS5C314 | IC |
| IC1003 | X25170S8I-2.5-X | IC |
| | or 25LC160-I/SN-X | IC |
| | or CAT25C16SI | IC |
| | or AT25160N-10SC-X | IC |
| IC1004 | TC75S56FU | IC |
| IC1005 | TC7S00FU | IC |
| | or SN74AHC1G00K | IC |
| IC1006 | MB90097PFV145 | IC(MICRO C ROM) |
| IC1007 | TC74VHC08FT | IC(DIGITAL) |
| | or SN74LV08APW | IC |
| IC1008 | IC-PST3423U-X | IC |
| IC1301 | SN74LV08APW | IC,A,B |
| IC1302 | MAX3221CAE | IC,A,B |
| | or ICL3221CA | IC,A,B |
| IC1303 | SN74LV02APW | IC |
| IC1401 | UPD703040YF-M06 | IC(MICRO C ROM) |
| | or UPD70F3040YFM06 | IC(MICRO C ROM) |
| IC1402 | TC7W66FU | IC(DIGITAL),A,B |
| | or SN74AHC2G66T | IC,A,B |
| Δ IC1601 | BD6631KV | IC |
| IC1602 | TC7W14FU | IC(DIGITAL) |
| | or SN74AHC2G14T | IC |
| IC2001 | AK4560AVQ | IC |
| IC3001 | JCY0152 | IC |
| IC3005 | JCY0136 | IC |
| IC3501 | JCY0132 | IC |
| IC3502 | SN74AHC1G04K | IC |
| IC3701 | BA7665FS | IC |
| IC4201 | HD49334F | IC |
| IC4202 | MM1385HN | IC |
| IC4301 | JCY0150 | IC |
| IC4302 | TMS4C2973-28-X | IC |
| IC4802 | TA75W01FU | IC |
| IC4803 | TA75W01FU | IC |
| IC4804 | LM358DR2 | IC |
| IC4851 | UPD16879GS | IC |
| IC5501 | JCY0117 | IC |
| IC6001 | S-80842ANNP-W | IC |
| IC6101 | FA3698F | IC |
| Q1001 | DTC124EE | TRANSISTOR |
| | or UN9212J | TRANSISTOR |
| Q1002 | 2SC4617/QR/-X | TRANSISTOR |
| | or 2SD2216J/QR/-X | TRANSISTOR |
| Q1003 | DTC143EE | TRANSISTOR |
| | or UN921LJ | TRANSISTOR |
| Q1005 | 2SJ347 | MOS FET |
| Q1006 | DTA114EE | TRANSISTOR |
| | or PDTA114EE | TRANSISTOR |
| | or UN9111J | TRANSISTOR |
| Q1007 | DTC144EE | TRANSISTOR |

Δ REF No. PART No. PART NAME, DESCRIPTION

| | | |
|-------|-------------------|--------------------|
| | or PDTC144EE | TRANSISTOR |
| | or UN9213J | TRANSISTOR |
| Q1008 | DTA114EE | TRANSISTOR |
| | or PDTA114EE | TRANSISTOR |
| | or UN9111J | TRANSISTOR |
| Q1009 | DTC144EE | TRANSISTOR |
| | or PDTC144EE | TRANSISTOR |
| | or UN9213J | TRANSISTOR |
| Q1301 | 2SC4617/QR/-X | TRANSISTOR |
| | or 2SD2216J/QR/-X | TRANSISTOR |
| Q1401 | DTA114EE | TRANSISTOR |
| | or PDTA114EE | TRANSISTOR |
| | or RN2102 | TRANSISTOR |
| | or UN9111J | TRANSISTOR |
| Q1402 | UMC3N | TRANSISTOR |
| Q1403 | UMC3N | TRANSISTOR |
| Q1601 | UMC3N | TRANSISTOR |
| Q2001 | UMX1N | PAIR TRANSISTOR |
| Q2002 | 2SC4617/RS/-X | TRANSISTOR |
| Q3001 | 2SC4617/RS/-X | TRANSISTOR |
| Q3002 | 2SC4617/RS/-X | TRANSISTOR |
| Q3701 | UMT2N | PAIR TRANSISTOR |
| | or XP6401 | TRANSISTOR |
| Q3702 | UMZ1N | PAIR TRANSISTOR |
| | or XP4601 | TRANSISTOR |
| Q4301 | UMT2N | PAIR TRANSISTOR |
| | or XP6401 | TRANSISTOR |
| Q4302 | UMT2N | PAIR TRANSISTOR |
| | or XP6401 | TRANSISTOR |
| Q4801 | 2SC4655/BC/-X | TRANSISTOR |
| Q4802 | 2SC4617/RS/-X | TRANSISTOR,E,F,G |
| Q4803 | DTC143EE | TRANSISTOR,E,F,G |
| Q4804 | DTA144EE | TRANSISTOR,E,F,G |
| Q4805 | DTA143EE | TRANSISTOR,E,F,G |
| Q4806 | 2SC4617/QR/-X | TRANSISTOR |
| Q4851 | 2SC4617/RS/-X | TRANSISTOR |
| Q6001 | DTC144EE | TRANSISTOR |
| | or PDTC144EE | TRANSISTOR |
| | or RN1104 | TRANSISTOR |
| | or UN9213J | TRANSISTOR |
| Q6002 | MCH6613 | MOS FET |
| Q6004 | 2SB1188/QR/-W | TRANSISTOR |
| Q6201 | MCH3308 | MOS FET |
| Q6202 | 2SA1577/RS/-X | TRANSISTOR |
| Q6203 | MCH3308 | MOS FET |
| Q6204 | CPH3314 | MOS FET |
| Q6205 | CPH3101 | TRANSISTOR |
| Q6206 | 2SC4617/RS/-X | TRANSISTOR |
| Q6207 | 2SD2444K | TRANSISTOR,B,E,F,G |
| Q6208 | MCH3308 | MOS FET |
| Q6210 | MCH3308 | MOS FET |
| Q6211 | MCH3308 | MOS FET |
| Q6212 | HN1C01FU/G/-X | PAIR TRANSISTOR |
| | or PUMX1 | PAIR TRANSISTOR |
| | or UMX1N | PAIR TRANSISTOR |
| Q6213 | 2SA1577/RS/-X | TRANSISTOR |
| Q6214 | DTC144EE | TRANSISTOR |
| | or PDTC144EE | TRANSISTOR |
| | or RN1104 | TRANSISTOR |
| | or UN9213J | TRANSISTOR |
| Q6215 | HN1A01FU/G/-X | PAIR TRANSISTOR |
| | or PUMT1 | PAIR TRANSISTOR |
| | or UMT1N | PAIR TRANSISTOR |

| # | △ REF No. | PART No. | PART NAME, DESCRIPTION | # | △ REF No. | PART No. | PART NAME, DESCRIPTION |
|---|-----------|--------------|-------------------------|---|-----------|--------------|-------------------------------|
| | Q6216 | 2SC4617/RS-X | TRANSISTOR | | R1050 | NRSA6AJ-223W | MG RESISTOR 22kΩ,1/16W |
| | Q6217 | UMZ1N | PAIR TRANSISTOR,B,E,F,G | | R1051 | NRSA6AJ-272W | MG RESISTOR 2.7kΩ,1/16W |
| | Q6701 | CPH3314 | MOS FET | | R1052 | NRSA6AJ-183W | MG RESISTOR 18kΩ,1/16W |
| | D1001 | DA221 | DIODE | | R1053 | NRSA6AJ-154W | MG RESISTOR 150kΩ,1/16W |
| | D1301 | 1SS376 | DIODE | | R1054 | NRSA6AJ-473W | MG RESISTOR 47kΩ,1/16W |
| | D1302 | 1SS376 | DIODE | | R1055 | NRSA6AJ-103W | MG RESISTOR 10kΩ,1/16W |
| | D1602 | DAP222 | DIODE | | R1056 | NRSA6AJ-472W | MG RESISTOR 4.7kΩ,1/16W |
| | D1603 | DAP222 | DIODE | | R1057 | NRSA6AJ-473W | MG RESISTOR 47kΩ,1/16W |
| | D1604 | DAP222 | DIODE | | R1058 | NRSA6AJ-222W | MG RESISTOR 2.2kΩ,1/16W |
| | D3001 | EC2C01C | VARI CAP DIODE | | R1059 | NRSA6AJ-0R0W | MG RESISTOR,A,B 0Ω,1/16W |
| | D3002 | EC2C01C | VARI CAP DIODE | | R1060 | NRSA6AJ-473W | MG RESISTOR 47kΩ,1/16W |
| | D3003 | EC2C01C | VARI CAP DIODE | | R1066 | NRSA6AJ-473W | MG RESISTOR 47kΩ,1/16W |
| | D3004 | MA2Z720 | SB DIODE | | R1071 | NRSA6AJ-474W | MG RESISTOR 470kΩ,1/16W |
| | D5501 | 1SS355 | DIODE | | R1072 | NRSA6AJ-104W | MG RESISTOR 100kΩ,1/16W |
| △ | D6002 | RB715F | SB DIODE | | R1076 | NRSA6AJ-0R0W | MG RESISTOR 0Ω,1/16W |
| | D6201 | CRS01 | SB DIODE | | R1077 | NRSA6AJ-0R0W | MG RESISTOR 0Ω,1/16W |
| | D6202 | CRS01 | SB DIODE | | R1078 | NRSA6AJ-102W | MG RESISTOR 1kΩ,1/16W |
| | D6203 | CRS01 | SB DIODE | | R1079 | NRSA6AJ-102W | MG RESISTOR 1kΩ,1/16W |
| | D6204 | CRS01 | SB DIODE | | R1080 | NRSA6AJ-102W | MG RESISTOR 1kΩ,1/16W |
| | D6205 | CRS01 | SB DIODE | | R1081 | NRSA6AJ-103W | MG RESISTOR 10kΩ,1/16W |
| | D6206 | RB480Y | SB DIODE | | R1082 | NRSA6AJ-103W | MG RESISTOR 10kΩ,1/16W |
| | D6207 | UDZS9.1B | ZENER DIODE | | R1083 | NRSA6AJ-103W | MG RESISTOR 10kΩ,1/16W |
| | D6208 | RB480Y | SB DIODE | | R1302 | NRSA6AJ-472W | MG RESISTOR 4.7kΩ,1/16W |
| | D6701 | EP10HY03 | SB DIODE | | R1306 | NRSA6AJ-472W | MG RESISTOR 4.7kΩ,1/16W |
| | D6702 | EP10HY03 | SB DIODE | | R1307 | NRSA6AJ-0R0W | MG RESISTOR,E,F,G 0Ω,1/16W |
| | R101 | NRSA63J-0R0X | MG RESISTOR 0Ω,1/16W | | R1308 | NRSA6AJ-0R0W | MG RESISTOR,E,F,G 0Ω,1/16W |
| | R102 | NRSA63J-0R0X | MG RESISTOR 0Ω,1/16W | | R1401 | NRSA6AJ-105W | MG RESISTOR 1MΩ,1/16W |
| | R1001 | NRSA6AJ-104W | MG RESISTOR 100kΩ,1/16W | | R1402 | NRSA6AJ-102W | MG RESISTOR 1kΩ,1/16W |
| | R1002 | NRSA6AJ-224W | MG RESISTOR 220kΩ,1/16W | | R1403 | NRSA6AJ-103W | MG RESISTOR 10kΩ,1/16W |
| | R1003 | NRSA6AJ-472W | MG RESISTOR 4.7kΩ,1/16W | | R1404 | NRSA6AJ-472W | MG RESISTOR 4.7kΩ,1/16W |
| | R1004 | NRSA6AJ-103W | MG RESISTOR 10kΩ,1/16W | | R1405 | NRSA6AJ-332W | MG RESISTOR 3.3kΩ,1/16W |
| | R1005 | NRSA6AJ-153W | MG RESISTOR 15kΩ,1/16W | | R1406 | NRSA6AJ-332W | MG RESISTOR 3.3kΩ,1/16W |
| | R1006 | NRSA6AJ-103W | MG RESISTOR 10kΩ,1/16W | | R1407 | NRSA6AJ-332W | MG RESISTOR 3.3kΩ,1/16W |
| | R1007 | NRSA6AJ-334W | MG RESISTOR 330kΩ,1/16W | | R1408 | NRSA6AD-753W | MG RESISTOR 75kΩ,1/16W |
| | R1008 | NRSA6AJ-102W | MG RESISTOR 1kΩ,1/16W | | R1409 | NRSA6AJ-334W | MG RESISTOR 330kΩ,1/16W |
| | R1009 | NRSA6AJ-561W | MG RESISTOR 560Ω,1/16W | | R1411 | NRSA6AJ-332W | MG RESISTOR 3.3kΩ,1/16W |
| | R1010 | NRSA6AJ-561W | MG RESISTOR 560Ω,1/16W | | R1412 | NRSA6AJ-332W | MG RESISTOR 3.3kΩ,1/16W |
| | R1015 | NRSA6AJ-474W | MG RESISTOR 470kΩ,1/16W | | R1413 | NRSA6AJ-332W | MG RESISTOR 3.3kΩ,1/16W |
| | R1016 | NRSA6AJ-473W | MG RESISTOR 47kΩ,1/16W | | R1414 | NRSA6AJ-332W | MG RESISTOR 3.3kΩ,1/16W |
| | R1017 | NRSA6AJ-561W | MG RESISTOR 560Ω,1/16W | | R1415 | NRSA6AJ-472W | MG RESISTOR,E,F,G 4.7kΩ,1/16W |
| | R1018 | NRSA6AJ-103W | MG RESISTOR 10kΩ,1/16W | | R1416 | NRSA6AJ-472W | MG RESISTOR,E,F,G 4.7kΩ,1/16W |
| | R1019 | NRSA6AJ-623W | MG RESISTOR 62kΩ,1/16W | | R1417 | NRSA6AJ-101W | MG RESISTOR 100Ω,1/16W |
| | R1020 | NRSA6AJ-331W | MG RESISTOR 330Ω,1/16W | | R1420 | NRSA6AJ-473W | MG RESISTOR 47kΩ,1/16W |
| | R1021 | NRSA6AJ-331W | MG RESISTOR 330Ω,1/16W | | R1421 | NRSA6AJ-103W | MG RESISTOR 10kΩ,1/16W |
| | R1022 | NRSA6AJ-331W | MG RESISTOR 330Ω,1/16W | | R1422 | NRSA6AJ-153W | MG RESISTOR 15kΩ,1/16W |
| | R1023 | NRSA6AJ-103W | MG RESISTOR 10kΩ,1/16W | | R1423 | NRSA6AJ-820W | MG RESISTOR 82Ω,1/16W |
| | R1024 | NRSA6AJ-823W | MG RESISTOR 82kΩ,1/16W | | R1424 | NRSA6AJ-104W | MG RESISTOR 100kΩ,1/16W |
| | R1026 | NRSA6AJ-104W | MG RESISTOR 100kΩ,1/16W | | R1425 | NRSA6AJ-473W | MG RESISTOR 47kΩ,1/16W |
| | R1027 | NRSA6AJ-104W | MG RESISTOR 100kΩ,1/16W | | R1427 | NRSA6AJ-104W | MG RESISTOR,A,B 100kΩ,1/16W |
| | R1029 | NRSA6AJ-473W | MG RESISTOR 47kΩ,1/16W | | R1601 | NRSA6AJ-681W | MG RESISTOR 680Ω,1/16W |
| | R1030 | NRSA6AJ-104W | MG RESISTOR 100kΩ,1/16W | | R1602 | NRSA6AJ-124W | MG RESISTOR 120kΩ,1/16W |
| | R1031 | NRSA6AJ-102W | MG RESISTOR 1kΩ,1/16W | | R1603 | NRSA6AJ-472W | MG RESISTOR 4.7kΩ,1/16W |
| | R1032 | NRSA6AJ-104W | MG RESISTOR 100kΩ,1/16W | | R1604 | NRSA6AJ-104W | MG RESISTOR 100kΩ,1/16W |
| | R1036 | NRSA6AJ-102W | MG RESISTOR 1kΩ,1/16W | | R1605 | NRV142F-R22X | CMF RESISTOR 0.22Ω,1/4W |
| | R1037 | NRSA6AJ-103W | MG RESISTOR 10kΩ,1/16W | | R1609 | NRV142F-R33X | CMF RESISTOR 0.33Ω,1/4W |
| | R1038 | NRSA6AJ-104W | MG RESISTOR 100kΩ,1/16W | | R1610 | NRSA6AJ-471W | MG RESISTOR 470Ω,1/16W |
| | R1039 | NRSA6AJ-103W | MG RESISTOR 10kΩ,1/16W | | R1611 | NRSA6AJ-471W | MG RESISTOR 470Ω,1/16W |
| | R1044 | NRSA6AJ-123W | MG RESISTOR 12kΩ,1/16W | | R1612 | NRSA6AJ-104W | MG RESISTOR 100kΩ,1/16W |
| | R1045 | NRSA6AJ-822W | MG RESISTOR 8.2kΩ,1/16W | | R1613 | NRSA6AJ-102W | MG RESISTOR 1kΩ,1/16W |
| | R1046 | NRSA6AJ-103W | MG RESISTOR 10kΩ,1/16W | | R1614 | NRSA6AJ-102W | MG RESISTOR 1kΩ,1/16W |
| | R1047 | NRSA6AJ-473W | MG RESISTOR 47kΩ,1/16W | | R1615 | NRSA6AJ-102W | MG RESISTOR 1kΩ,1/16W |
| | R1048 | NRSA6AJ-104W | MG RESISTOR 100kΩ,1/16W | | R1616 | NRSA6AJ-391W | MG RESISTOR 390Ω,1/16W |
| | R1049 | NRSA6AJ-393W | MG RESISTOR 39kΩ,1/16W | | R1617 | NRSA6AJ-683W | MG RESISTOR 68kΩ,1/16W |

| # | △ REF No. | PART No. | PART NAME, DESCRIPTION | | # | △ REF No. | PART No. | PART NAME, DESCRIPTION | |
|-------|-----------|--------------|------------------------|--------------|-------|-----------|--------------|------------------------|--------------|
| R1618 | | NRSA6AJ-683W | MG RESISTOR | 68kΩ, 1/16W | R3007 | | NRSA6AJ-562W | MG RESISTOR | 5.6kΩ, 1/16W |
| R1619 | | NRSA6AJ-393W | MG RESISTOR | 39kΩ, 1/16W | R3008 | | NRSA6AJ-222W | MG RESISTOR | 2.2kΩ, 1/16W |
| R1620 | | NRSA6AJ-103W | MG RESISTOR | 10kΩ, 1/16W | R3009 | | NRSA6AJ-103W | MG RESISTOR | 10kΩ, 1/16W |
| R1621 | | NRSA6AJ-103W | MG RESISTOR | 10kΩ, 1/16W | R3010 | | NRSA6AJ-103W | MG RESISTOR | 10kΩ, 1/16W |
| R1622 | | NRSA6AJ-103W | MG RESISTOR | 10kΩ, 1/16W | R3011 | | NRSA6AJ-224W | MG RESISTOR | 220kΩ, 1/16W |
| R1624 | | NRVA6AD-123W | CMF RESISTOR | 12kΩ, 1/16W | R3013 | | NRSA6AJ-242W | MG RESISTOR | 2.4kΩ, 1/16W |
| R1625 | | NRSA6AJ-181W | MG RESISTOR | 180Ω, 1/16W | R3014 | | NRSA6AJ-392W | MG RESISTOR | 3.9kΩ, 1/16W |
| R1626 | | NRSA6AJ-181W | MG RESISTOR | 180Ω, 1/16W | R3015 | | NRSA6AJ-392W | MG RESISTOR | 3.9kΩ, 1/16W |
| R1628 | | NRVA6AD-271W | CMF RESISTOR | 270Ω, 1/16W | R3016 | | NRVA6AD-560W | CMF RESISTOR | 56Ω, 1/16W |
| R1629 | | NRSA6AJ-564W | MG RESISTOR | 560kΩ, 1/16W | R3017 | | NRVA6AD-560W | CMF RESISTOR | 56Ω, 1/16W |
| R1630 | | NRSA6AJ-0R0W | MG RESISTOR | 0Ω, 1/16W | R3018 | | NRVA6AD-560W | CMF RESISTOR | 56Ω, 1/16W |
| R1631 | | NRSA6AJ-0R0W | MG RESISTOR | 0Ω, 1/16W | R3019 | | NRVA6AD-560W | CMF RESISTOR | 56Ω, 1/16W |
| R1635 | | NRSA6AJ-472W | MG RESISTOR | 4.7kΩ, 1/16W | R3020 | | NRVA6AD-512W | CMF RESISTOR | 5.1kΩ, 1/16W |
| R1636 | | NRSA6AJ-103W | MG RESISTOR | 10kΩ, 1/16W | R3025 | | NRSA6AJ-102W | MG RESISTOR | 1kΩ, 1/16W |
| R1637 | | NRSA6AJ-154W | MG RESISTOR | 150kΩ, 1/16W | R3027 | | NRSA6AJ-103W | MG RESISTOR | 10kΩ, 1/16W |
| R2001 | | NRSA6AJ-0R0W | MG RESISTOR | 0Ω, 1/16W | R3029 | | NRSA6AJ-682W | MG RESISTOR | 6.8kΩ, 1/16W |
| R2004 | | NRSA6AJ-0R0W | MG RESISTOR | 0Ω, 1/16W | R3030 | | NRSA6AJ-224W | MG RESISTOR | 220kΩ, 1/16W |
| R2006 | | NRSA6AJ-100W | MG RESISTOR | 10Ω, 1/16W | R3031 | | NRSA6AJ-224W | MG RESISTOR | 220kΩ, 1/16W |
| R2007 | | NRSA6AJ-102W | MG RESISTOR | 1kΩ, 1/16W | R3032 | | NRSA6AJ-105W | MG RESISTOR | 1MΩ, 1/16W |
| R2008 | | NRSA6AJ-102W | MG RESISTOR | 1kΩ, 1/16W | R3033 | | NRSA6AJ-103W | MG RESISTOR | 10kΩ, 1/16W |
| R2009 | | NRSA6AJ-332W | MG RESISTOR | 3.3kΩ, 1/16W | R3034 | | NRSA6AJ-222W | MG RESISTOR | 2.2kΩ, 1/16W |
| R2014 | | NRSA6AJ-820W | MG RESISTOR | 82Ω, 1/16W | R3036 | | NRSA6AJ-103W | MG RESISTOR | 10kΩ, 1/16W |
| R2015 | | NRSA6AJ-820W | MG RESISTOR | 82Ω, 1/16W | R3037 | | NRSA6AJ-681W | MG RESISTOR | 680Ω, 1/16W |
| R2016 | | NRSA6AJ-820W | MG RESISTOR | 82Ω, 1/16W | R3050 | | NRSA6AJ-0R0W | MG RESISTOR | 0Ω, 1/16W |
| R2017 | | NRSA6AJ-102W | MG RESISTOR | 1kΩ, 1/16W | R3051 | | NRSA6AJ-0R0W | MG RESISTOR | 0Ω, 1/16W |
| R2018 | | NRSA6AJ-103W | MG RESISTOR | 10kΩ, 1/16W | R3057 | | NRSA6AJ-100W | MG RESISTOR | 10Ω, 1/16W |
| R2019 | | NRSA6AJ-2R7W | MG RESISTOR | 2.7Ω, 1/16W | R3059 | | NRSA6AJ-101W | MG RESISTOR | 100Ω, 1/16W |
| R2020 | | NRSA6AJ-2R7W | MG RESISTOR | 2.7Ω, 1/16W | R3066 | | NRSA6AJ-561W | MG RESISTOR | 560Ω, 1/16W |
| R2023 | | NRSA6AJ-102W | MG RESISTOR | 1kΩ, 1/16W | R3067 | | NRSA6AJ-561W | MG RESISTOR | 560Ω, 1/16W |
| R2024 | | NRSA6AJ-183W | MG RESISTOR | 18kΩ, 1/16W | R3068 | | NRSA6AJ-271W | MG RESISTOR | 270Ω, 1/16W |
| R2025 | | NRSA6AJ-104W | MG RESISTOR | 100kΩ, 1/16W | R3069 | | NRSA6AJ-472W | MG RESISTOR | 4.7kΩ, 1/16W |
| R2028 | | NRSA6AJ-224W | MG RESISTOR | 220kΩ, 1/16W | R3071 | | NRSA6AJ-0R0W | MG RESISTOR | 0Ω, 1/16W |
| R2029 | | NRSA6AJ-0R0W | MG RESISTOR | 0Ω, 1/16W | R3074 | | NRSA6AJ-103W | MG RESISTOR | 10kΩ, 1/16W |
| R2103 | | NRSA6AJ-153W | MG RESISTOR | 15kΩ, 1/16W | R3501 | | NRSA6AJ-471W | MG RESISTOR | 470Ω, 1/16W |
| R2104 | | NRSA6AJ-153W | MG RESISTOR | 15kΩ, 1/16W | R3502 | | NRSA6AJ-104W | MG RESISTOR | 100kΩ, 1/16W |
| R2105 | | NRSA6AJ-472W | MG RESISTOR | 4.7kΩ, 1/16W | R3503 | | NRSA6AJ-102W | MG RESISTOR | 1kΩ, 1/16W |
| R2106 | | NRSA6AJ-472W | MG RESISTOR | 4.7kΩ, 1/16W | R3504 | | NRSA6AD-241W | MG RESISTOR | 240Ω, 1/16W |
| R2107 | | NRSA6AJ-153W | MG RESISTOR | 15kΩ, 1/16W | R3505 | | NRSA6AD-241W | MG RESISTOR | 240Ω, 1/16W |
| R2108 | | NRSA6AJ-153W | MG RESISTOR | 15kΩ, 1/16W | R3506 | | NRSA6AD-241W | MG RESISTOR | 240Ω, 1/16W |
| R2109 | | NRSA6AJ-182W | MG RESISTOR | 1.8kΩ, 1/16W | R3507 | | NRSA6AD-241W | MG RESISTOR | 240Ω, 1/16W |
| R2110 | | NRSA6AJ-182W | MG RESISTOR | 1.8kΩ, 1/16W | R3508 | | NRSA6AJ-223W | MG RESISTOR | 22kΩ, 1/16W |
| R2111 | | NRSA6AJ-153W | MG RESISTOR | 15kΩ, 1/16W | R3511 | | NRSA6AJ-101W | MG RESISTOR | 100Ω, 1/16W |
| R2112 | | NRSA6AJ-153W | MG RESISTOR | 15kΩ, 1/16W | R3521 | | NRSA6AJ-0R0W | MG RESISTOR | 0Ω, 1/16W |
| R2113 | | NRSA6AJ-222W | MG RESISTOR | 2.2kΩ, 1/16W | R3522 | | NRSA6AJ-0R0W | MG RESISTOR | 0Ω, 1/16W |
| R2114 | | NRSA6AJ-222W | MG RESISTOR | 2.2kΩ, 1/16W | R3701 | | NRSA6AD-241W | MG RESISTOR | 240Ω, 1/16W |
| R2115 | | NRSA6AJ-472W | MG RESISTOR | 4.7kΩ, 1/16W | R3702 | | NRSA6AD-241W | MG RESISTOR | 240Ω, 1/16W |
| R2116 | | NRSA6AJ-472W | MG RESISTOR | 4.7kΩ, 1/16W | R3703 | | NRSA6AJ-472W | MG RESISTOR | 4.7kΩ, 1/16W |
| R2117 | | NRSA6AJ-472W | MG RESISTOR | 4.7kΩ, 1/16W | R3706 | | NRSA6AD-221W | MG RESISTOR | 220Ω, 1/16W |
| R2118 | | NRSA6AJ-472W | MG RESISTOR | 4.7kΩ, 1/16W | R3707 | | NRSA6AD-221W | MG RESISTOR | 220Ω, 1/16W |
| R2119 | | NRSA6AJ-332W | MG RESISTOR | 3.3kΩ, 1/16W | R3708 | | NRSA6AJ-472W | MG RESISTOR | 4.7kΩ, 1/16W |
| R2120 | | NRSA6AJ-332W | MG RESISTOR | 3.3kΩ, 1/16W | R3711 | | NRSA6AD-680W | MG RESISTOR | 68Ω, 1/16W |
| R2121 | | NRSA6AJ-473W | MG RESISTOR | 47kΩ, 1/16W | R3712 | | NRSA6AD-680W | MG RESISTOR | 68Ω, 1/16W |
| R2122 | | NRSA6AJ-473W | MG RESISTOR | 47kΩ, 1/16W | R3713 | | NRSA6AD-680W | MG RESISTOR | 68Ω, 1/16W |
| R2123 | | NRSA6AJ-104W | MG RESISTOR | 100kΩ, 1/16W | R3714 | | NRSA6AJ-123W | MG RESISTOR | 12kΩ, 1/16W |
| R2124 | | NRSA6AJ-104W | MG RESISTOR | 100kΩ, 1/16W | R3715 | | NRSA6AJ-103W | MG RESISTOR | 10kΩ, 1/16W |
| R2127 | | NRSA6AJ-0R0W | MG RESISTOR | 0Ω, 1/16W | R3717 | | NRSA6AJ-561W | MG RESISTOR | 560Ω, 1/16W |
| R2128 | | NRSA6AJ-0R0W | MG RESISTOR | 0Ω, 1/16W | R3718 | | NRSA6AJ-561W | MG RESISTOR | 560Ω, 1/16W |
| R2201 | | NRSA6AJ-122W | MG RESISTOR | 1.2kΩ, 1/16W | R3719 | | NRSA6AJ-103W | MG RESISTOR | 10kΩ, 1/16W |
| R2202 | | NRSA6AJ-122W | MG RESISTOR | 1.2kΩ, 1/16W | R3724 | | NRSA6AJ-392W | MG RESISTOR | 3.9kΩ, 1/16W |
| R3002 | | NRSA6AJ-103W | MG RESISTOR | 10kΩ, 1/16W | R4202 | | NRSA6AJ-0R0W | MG RESISTOR | 0Ω, 1/16W |
| R3004 | | NRSA6AJ-103W | MG RESISTOR | 10kΩ, 1/16W | R4203 | | NRSA6AJ-0R0W | MG RESISTOR | 0Ω, 1/16W |
| R3005 | | NRSA6AJ-100W | MG RESISTOR | 10Ω, 1/16W | R4205 | | NRSA6AJ-333W | MG RESISTOR | 33kΩ, 1/16W |
| R3006 | | NRSA6AJ-100W | MG RESISTOR | 10Ω, 1/16W | R4206 | | NRSA6AJ-102W | MG RESISTOR | 1kΩ, 1/16W |

| # | △ REF No. | PART No. | PART NAME, DESCRIPTION | # | △ REF No. | PART No. | PART NAME, DESCRIPTION |
|-------|-----------|--------------|-------------------------------|---------|-----------|--------------|------------------------------|
| R4207 | | NRSA6AJ-102W | MG RESISTOR 1kΩ,1/16W | R4826 | | NRSA6AJ-473W | MG RESISTOR,E,F,G 47kΩ,1/16W |
| R4208 | | NRSA6AJ-102W | MG RESISTOR 1kΩ,1/16W | R4827 | | NRSA6AJ-0R0W | MG RESISTOR 0Ω,1/16W |
| R4301 | | NRSA6AJ-101W | MG RESISTOR 100Ω,1/16W | R4828 | | NRSA6AJ-0R0W | MG RESISTOR 0Ω,1/16W |
| R4302 | | NRSA6AJ-221W | MG RESISTOR,E,F,G 220Ω,1/16W | R4833 | | NRSA6AJ-104W | MG RESISTOR 100kΩ,1/16W |
| R4303 | | NRSA6AJ-0R0W | MG RESISTOR 0Ω,1/16W | R4836 | | NRSA6AJ-102W | MG RESISTOR 1kΩ,1/16W |
| R4305 | | NRSA6AJ-0R0W | MG RESISTOR 0Ω,1/16W | R4837 | | NRSA6AJ-0R0W | MG RESISTOR,E,F,G 0Ω,1/16W |
| R4307 | | NRSA6AD-333W | MG RESISTOR 33kΩ,1/16W | R4841 | | NRSA6AJ-0R0W | MG RESISTOR 0Ω,1/16W |
| R4308 | | NRSA6AD-682W | MG RESISTOR 6.8kΩ,1/16W | R4842 | | NRSA6AJ-0R0W | MG RESISTOR 0Ω,1/16W |
| R4309 | | NRSA6AJ-0R0W | MG RESISTOR 0Ω,1/16W | R4843 | | NRSA6AJ-0R0W | MG RESISTOR 0Ω,1/16W |
| R4311 | | NRSA6AD-272W | MG RESISTOR 2.7kΩ,1/16W | R4844 | | NRSA6AJ-151W | MG RESISTOR 150Ω,1/16W |
| R4312 | | NRSA6AD-272W | MG RESISTOR 2.7kΩ,1/16W | R4846 | | NRSA6AJ-0R0W | MG RESISTOR,E,F,G 0Ω,1/16W |
| R4313 | | NRSA6AD-272W | MG RESISTOR 2.7kΩ,1/16W | R4854 | | NRSA6AJ-0R0W | MG RESISTOR 0Ω,1/16W |
| R4314 | | NRSA6AD-123W | MG RESISTOR 12kΩ,1/16W | R4856 | | NRSA63J-6R8X | MG RESISTOR 6.8Ω,1/16W |
| R4315 | | NRSA6AD-103W | MG RESISTOR 10kΩ,1/16W | R4857 | | NRSA63J-6R8X | MG RESISTOR 6.8Ω,1/16W |
| R4316 | | NRSA6AD-131W | MG RESISTOR 130Ω,1/16W | R4858 | | NRSA6AJ-333W | MG RESISTOR 33kΩ,1/16W |
| R4317 | | NRSA6AJ-0R0W | MG RESISTOR 0Ω,1/16W | R4859 | | NRSA6AJ-0R0W | MG RESISTOR 0Ω,1/16W |
| R4318 | | NRSA6AJ-152W | MG RESISTOR 1.5kΩ,1/16W | R4860 | | NRSA6AJ-0R0W | MG RESISTOR 0Ω,1/16W |
| R4319 | | NRSA6AD-131W | MG RESISTOR 130Ω,1/16W | R4862 | | NRSA63J-6R8X | MG RESISTOR 6.8Ω,1/16W |
| R4320 | | NRSA6AJ-0R0W | MG RESISTOR 0Ω,1/16W | R4863 | | NRSA63J-6R8X | MG RESISTOR 6.8Ω,1/16W |
| R4321 | | NRSA6AJ-152W | MG RESISTOR 1.5kΩ,1/16W | R4864 | | NRSA6AJ-102W | MG RESISTOR 1kΩ,1/16W |
| R4322 | | NRSA6AD-131W | MG RESISTOR 130Ω,1/16W | R4865 | | NRSA6AJ-102W | MG RESISTOR 1kΩ,1/16W |
| R4323 | | NRSA6AD-820W | MG RESISTOR 82Ω,1/16W | R4866 | | NRSA6AJ-102W | MG RESISTOR 1kΩ,1/16W |
| R4324 | | NRSA6AJ-152W | MG RESISTOR 1.5kΩ,1/16W | R4867 | | NRSA6AJ-102W | MG RESISTOR 1kΩ,1/16W |
| R4326 | | NRSA6AJ-0R0W | MG RESISTOR 0Ω,1/16W | R4868 | | NRSA6AJ-0R0W | MG RESISTOR 0Ω,1/16W |
| R4327 | | NRSA6AJ-152W | MG RESISTOR 1.5kΩ,1/16W | R4870 | | NRSA6AJ-271W | MG RESISTOR 270Ω,1/16W |
| R4328 | | NRSA6AJ-0R0W | MG RESISTOR 0Ω,1/16W | R4871 | | NRSA6AJ-0R0W | MG RESISTOR 0Ω,1/16W |
| R4329 | | NRSA6AJ-0R0W | MG RESISTOR 0Ω,1/16W | R4874 | | NRSA6AJ-0R0W | MG RESISTOR 0Ω,1/16W |
| R4333 | | NRSA6AJ-0R0W | MG RESISTOR 0Ω,1/16W | R5501 | | NRSA6AJ-0R0W | MG RESISTOR 0Ω,1/16W |
| R4336 | | NRSA6AJ-0R0W | MG RESISTOR 0Ω,1/16W | R5503 | | NRSA6AJ-0R0W | MG RESISTOR 0Ω,1/16W |
| R4337 | | NRSA6AJ-0R0W | MG RESISTOR 0Ω,1/16W | R5504 | | NRSA6AJ-0R0W | MG RESISTOR 0Ω,1/16W |
| R4338 | | NRSA6AJ-220W | MG RESISTOR 22Ω,1/16W | R5505 | | NRSA6AJ-0R0W | MG RESISTOR 0Ω,1/16W |
| R4339 | | NRSA6AJ-0R0W | MG RESISTOR 0Ω,1/16W | R5506 | | NRSA6AJ-0R0W | MG RESISTOR 0Ω,1/16W |
| R4340 | | NRSA6AJ-0R0W | MG RESISTOR 0Ω,1/16W | R5507 | | NRSA6AJ-0R0W | MG RESISTOR 0Ω,1/16W |
| R4341 | | NRSA6AJ-0R0W | MG RESISTOR 0Ω,1/16W | R5509 | | NRSA6AJ-470W | MG RESISTOR 47Ω,1/16W |
| R4343 | | NRSA6AJ-0R0W | MG RESISTOR 0Ω,1/16W | R5510 | | NRSA6AJ-470W | MG RESISTOR 47Ω,1/16W |
| R4344 | | NRSA6AJ-0R0W | MG RESISTOR 0Ω,1/16W | R5511 | | NRSA6AJ-470W | MG RESISTOR 47Ω,1/16W |
| R4346 | | NRSA63J-0R0X | MG RESISTOR 0Ω,1/16W | R5512 | | NRSA6AJ-102W | MG RESISTOR 1kΩ,1/16W |
| R4347 | | NRSA6AJ-223W | MG RESISTOR 22kΩ,1/16W | R5513 | | NRSA6AJ-102W | MG RESISTOR 1kΩ,1/16W |
| R4348 | | NRSA6AJ-223W | MG RESISTOR 22kΩ,1/16W | R5514 | | NRSA6AJ-102W | MG RESISTOR 1kΩ,1/16W |
| R4349 | | NRSA6AJ-223W | MG RESISTOR 22kΩ,1/16W | R6001 | | NRSA6AJ-104W | MG RESISTOR 100kΩ,1/16W |
| R4350 | | NRSA6AJ-223W | MG RESISTOR 22kΩ,1/16W | R6002 | | NRSA6AJ-104W | MG RESISTOR 100kΩ,1/16W |
| R4351 | | NRSA6AJ-223W | MG RESISTOR 22kΩ,1/16W | R6003 | | NRSA6AJ-224W | MG RESISTOR 220kΩ,1/16W |
| R4804 | | NRSA6AJ-102W | MG RESISTOR 1kΩ,1/16W | R6004 | | NRSA6AJ-183W | MG RESISTOR 18kΩ,1/16W |
| R4805 | | NRSA6AJ-103W | MG RESISTOR 10kΩ,1/16W | R6005 | | NRSA6AJ-104W | MG RESISTOR 100kΩ,1/16W |
| R4806 | | NRSA6AJ-683W | MG RESISTOR 68kΩ,1/16W | △ R6009 | | NRSA63J-102X | MG RESISTOR 1kΩ,1/16W |
| R4807 | | NRSA6AJ-823W | MG RESISTOR 82kΩ,1/16W | R6010 | | NRSA6AJ-473W | MG RESISTOR 47kΩ,1/16W |
| R4808 | | NRSA6AJ-243W | MG RESISTOR 24kΩ,1/16W | R6011 | | NRSA6AJ-102W | MG RESISTOR 1kΩ,1/16W |
| R4809 | | NRSA6AJ-681W | MG RESISTOR 680Ω,1/16W | R6012 | | NRVA6AD-104W | CMF RESISTOR 100kΩ,1/16W |
| R4810 | | NRSA6AJ-103W | MG RESISTOR 10kΩ,1/16W | R6013 | | NRVA6AD-683W | CMF RESISTOR 68kΩ,1/16W |
| R4811 | | NRSA6AJ-824W | MG RESISTOR 820kΩ,1/16W | R6101 | | NRVA6AD-103W | CMF RESISTOR 10kΩ,1/16W |
| R4812 | | NRSA6AJ-153W | MG RESISTOR 15kΩ,1/16W | R6102 | | NRVA6AD-751W | CMF RESISTOR 750Ω,1/16W |
| R4814 | | NRSA6AJ-105W | MG RESISTOR 1MΩ,1/16W | R6103 | | NRVA6AD-103W | CMF RESISTOR 10kΩ,1/16W |
| R4815 | | NRSA6AJ-472W | MG RESISTOR 4.7kΩ,1/16W | R6106 | | NRSA6AJ-333W | MG RESISTOR 33kΩ,1/16W |
| R4816 | | NRSA6AJ-105W | MG RESISTOR 1MΩ,1/16W | R6107 | | NRVA6AD-562W | CMF RESISTOR 5.6kΩ,1/16W |
| R4817 | | NRSA6AJ-334W | MG RESISTOR 330kΩ,1/16W | R6108 | | NRSA6AJ-223W | MG RESISTOR 22kΩ,1/16W |
| R4818 | | NRSA6AJ-154W | MG RESISTOR 150kΩ,1/16W | R6113 | | NRSA6AJ-472W | MG RESISTOR 4.7kΩ,1/16W |
| R4819 | | NRSA6AJ-103W | MG RESISTOR 10kΩ,1/16W | R6114 | | NRSA6AJ-823W | MG RESISTOR 82kΩ,1/16W |
| R4820 | | NRSA6AJ-104W | MG RESISTOR 100kΩ,1/16W | R6115 | | NRSA6AJ-823W | MG RESISTOR 82kΩ,1/16W |
| R4821 | | NRSA6AJ-104W | MG RESISTOR 100kΩ,1/16W | R6116 | | NRVA6AD-153W | CMF RESISTOR 15kΩ,1/16W |
| R4822 | | NRSA6AJ-333W | MG RESISTOR 33kΩ,1/16W | R6117 | | NRSA6AJ-0R0W | MG RESISTOR 0Ω,1/16W |
| R4823 | | NRSA6AJ-102W | MG RESISTOR 1kΩ,1/16W | R6118 | | NRSA6AJ-102W | MG RESISTOR 1kΩ,1/16W |
| R4824 | | NRSA6AJ-472W | MG RESISTOR 4.7kΩ,1/16W | R6124 | | NRSA6AJ-102W | MG RESISTOR 1kΩ,1/16W |
| R4825 | | NRSA6AJ-222W | MG RESISTOR,E,F,G 2.2kΩ,1/16W | R6201 | | NRVA6AD-223W | CMF RESISTOR 22kΩ,1/16W |

| # | △ REF No. | PART No. | PART NAME, DESCRIPTION | # | △ REF No. | PART No. | PART NAME, DESCRIPTION |
|--------|-----------|--------------|---------------------------------|--------|-----------|--------------|-----------------------------|
| R6202 | | NRSA6AJ-474W | MG RESISTOR 470kΩ,1/16W | RA4310 | | NRZ0034-221W | NETWORK RESISTOR,E,F,G 220Ω |
| R6203 | | NRVA6AD-103W | CMF RESISTOR 10kΩ,1/16W | C1003 | | NBE20JM-106X | T CAPACITOR,F,G 10μF,6.3V |
| R6204 | | NRSA6AJ-473W | MG RESISTOR 47kΩ,1/16W | C1004 | | NCFA1AZ-104W | CAPACITOR 0.1μF,10V |
| R6205 | | NRSA6AJ-102W | MG RESISTOR 1kΩ,1/16W | C1006 | | NDCA1HJ-130W | CAPACITOR 13pF,50V |
| R6206 | | NRVA6AD-183W | CMF RESISTOR 18kΩ,1/16W | C1007 | | NCFA1HZ-103W | CAPACITOR 0.01μF,50V |
| R6207 | | NRVA6AD-123W | CMF RESISTOR 12kΩ,1/16W | C1009 | | NCFA1HZ-103W | CAPACITOR 0.01μF,50V |
| R6208 | | NRVA6AD-123W | CMF RESISTOR 12kΩ,1/16W | C1010 | | NCFA1HZ-103W | CAPACITOR 0.01μF,50V |
| R6209 | | NRVA6AD-153W | CMF RESISTOR 15kΩ,1/16W | C1013 | | NCFA1HZ-103W | CAPACITOR 0.01μF,50V |
| R6210 | | NRVA6AD-183W | CMF RESISTOR 18kΩ,1/16W | C1014 | | NCFA1HZ-103W | CAPACITOR 0.01μF,50V |
| R6212 | | NRVA6AD-472W | CMF RESISTOR 4.7kΩ,1/16W | C1015 | | NCFA1HZ-103W | CAPACITOR 0.01μF,50V |
| R6213 | | NRSA6AJ-103W | MG RESISTOR 10kΩ,1/16W | C1016 | | NCFA1HZ-103W | CAPACITOR 0.01μF,50V |
| R6214 | | NRSA6AJ-152W | MG RESISTOR 1.5kΩ,1/16W | C1017 | | NCFA1HZ-103W | CAPACITOR 0.01μF,50V |
| R6215 | | NRSA6AJ-473W | MG RESISTOR 47kΩ,1/16W | C1019 | | NCFA1HZ-103W | CAPACITOR 0.01μF,50V |
| R6217 | | NRSA6AJ-151W | MG RESISTOR,B,E,F,G 150kΩ,1/16W | C1023 | | NCFA1AZ-104W | CAPACITOR 0.1μF,10V |
| R6218 | | NRSA6AJ-104W | MG RESISTOR,B,E,F,G 100kΩ,1/16W | C1026 | | NCFA1AZ-104W | CAPACITOR 0.1μF,10V |
| R6219 | | NRVA6AD-243W | CMF RESISTOR 24kΩ,1/16W | C1027 | | NCFA1HZ-103W | CAPACITOR 0.01μF,50V |
| R6220 | | NRVA6AD-302W | CMF RESISTOR 3kΩ,1/16W | C1028 | | NCFA1HZ-103W | CAPACITOR 0.01μF,50V |
| R6221 | | NRVA6AD-104W | CMF RESISTOR 100kΩ,1/16W | C1029 | | NCFA1HZ-103W | CAPACITOR 0.01μF,50V |
| R6222 | | NRVA6AD-103W | CMF RESISTOR 10kΩ,1/16W | C1030 | | NCFA1HZ-103W | CAPACITOR 0.01μF,50V |
| R6223 | | NRVA6AD-123W | CMF RESISTOR 12kΩ,1/16W | C1031 | | NCF31AZ-105X | CAPACITOR 1μF,10V |
| R6224 | | NRVA6AD-473W | CMF RESISTOR 47kΩ,1/16W | C1034 | | NCFA1HZ-103W | CAPACITOR 0.01μF,50V |
| R6225 | | NRVA6AD-562W | CMF RESISTOR 5.6kΩ,1/16W | C1036 | | NCFA1HZ-103W | CAPACITOR 0.01μF,50V |
| R6226 | | NRVA6AD-223W | CMF RESISTOR 22kΩ,1/16W | C1037 | | NCFA1HZ-103W | CAPACITOR 0.01μF,50V |
| R6227 | | NRVA6AD-473W | CMF RESISTOR 47kΩ,1/16W | C1038 | | NCFA1HZ-103W | CAPACITOR 0.01μF,50V |
| R6228 | | NRVA6AD-473W | CMF RESISTOR 47kΩ,1/16W | C1039 | | NCFA1HZ-103W | CAPACITOR 0.01μF,50V |
| R6229 | | NRVA6AD-332W | CMF RESISTOR 3.3kΩ,1/16W | C1301 | | NCFA1AZ-104W | CAPACITOR,A,B 0.1μF,10V |
| R6230 | | NRSA6AJ-272W | MG RESISTOR 2.7kΩ,1/16W | C1302 | | NCFA1AZ-104W | CAPACITOR,A,B 0.1μF,10V |
| R6231 | | NRVA6AD-104W | CMF RESISTOR 100kΩ,1/16W | C1303 | | NCFA1AZ-104W | CAPACITOR,A,B 0.1μF,10V |
| R6232 | | NRVA6AD-473W | CMF RESISTOR 47kΩ,1/16W | C1304 | | NCFA1AZ-104W | CAPACITOR,A,B 0.1μF,10V |
| R6233 | | NRSA6AJ-822W | MG RESISTOR 8.2kΩ,1/16W | C1305 | | NCFA1AZ-104W | CAPACITOR,A,B 0.1μF,10V |
| R6234 | | NRSA6AJ-273W | MG RESISTOR 27kΩ,1/16W | C1306 | | NCFA1AZ-104W | CAPACITOR,A,B 0.1μF,10V |
| R6235 | | NRVA6AD-683W | CMF RESISTOR 68kΩ,1/16W | C1307 | | NCFA1AZ-104W | CAPACITOR 0.1μF,10V |
| R6236 | | NRVA6AD-473W | CMF RESISTOR 47kΩ,1/16W | C1401 | | NDCA1HJ-150W | CAPACITOR 15pF,50V |
| R6237 | | NRVA6AD-753W | CMF RESISTOR 75kΩ,1/16W | C1402 | | NDCA1HJ-150W | CAPACITOR 15pF,50V |
| R6238 | | NRVA6AD-104W | CMF RESISTOR 100kΩ,1/16W | C1403 | | NCBA1AK-104W | CAPACITOR 0.1μF,10V |
| R6239 | | NRSA6AJ-103W | MG RESISTOR 10kΩ,1/16W | C1404 | | NCBA1AK-104W | CAPACITOR 0.1μF,10V |
| R6240 | | NRSA6AJ-333W | MG RESISTOR 33kΩ,1/16W | C1405 | | NCBA1AK-104W | CAPACITOR 0.1μF,10V |
| R6241 | | NRSA6AJ-102W | MG RESISTOR 1kΩ,1/16W | C1406 | | NCBA1AK-104W | CAPACITOR 0.1μF,10V |
| R6242 | | NRSA6AJ-104W | MG RESISTOR 100kΩ,1/16W | C1407 | | NCBA1AK-104W | CAPACITOR 0.1μF,10V |
| R6243 | | NRSA6AJ-823W | MG RESISTOR 82kΩ,1/16W | C1409 | | NCBA1CK-103W | CAPACITOR 0.01μF,16V |
| R6244 | | NRSA6AJ-152W | MG RESISTOR,B,E,F,G 1.5kΩ,1/16W | C1410 | | NCBA1CK-103W | CAPACITOR 0.01μF,16V |
| R6245 | | NRSA6AJ-562W | MG RESISTOR,B,E,F,G 5.6kΩ,1/16W | C1411 | | NCBA1CK-103W | CAPACITOR 0.01μF,16V |
| R6246 | | NRSA6AJ-222W | MG RESISTOR,B,E,F,G 2.2kΩ,1/16W | C1412 | | NCBA1CK-223W | CAPACITOR 0.022μF,16V |
| R6701 | | NRZ0058-R20X | MG RESISTOR 0.2Ω,1/2W | C1413 | | NCBA1CK-223W | CAPACITOR 0.022μF,16V |
| R6702 | | NRVA6AD-104W | CMF RESISTOR 100kΩ,1/16W | C1414 | | NCBA1CK-223W | CAPACITOR 0.022μF,16V |
| R6703 | | NRVA6AD-123W | CMF RESISTOR 12kΩ,1/16W | C1415 | | NCBA1CK-223W | CAPACITOR 0.022μF,16V |
| R6704 | | NRVA6AD-823W | CMF RESISTOR 82kΩ,1/16W | C1416 | | NCBA1AK-104W | CAPACITOR 0.1μF,10V |
| R6705 | | NRVA6AD-333W | CMF RESISTOR 33kΩ,1/16W | C1601 | | NCBA1CK-103W | CAPACITOR 0.01μF,16V |
| RA1008 | | NRZ0034-104W | NETWORK RESISTOR 100kΩ | C1602 | | NBE20JM-106X | T CAPACITOR 10μF,6.3V |
| RA1009 | | NRZ0034-104W | NETWORK RESISTOR 100kΩ | C1603 | | NBE20JM-106X | T CAPACITOR 10μF,6.3V |
| RA1010 | | NRZ0034-104W | NETWORK RESISTOR 100kΩ | C1605 | | NCBA1AK-104W | CAPACITOR 0.1μF,10V |
| RA1401 | | NRZ0034-473W | NETWORK RESISTOR 47kΩ | C1606 | | NCBA1HK-152W | CAPACITOR 0.0015μF,50V |
| RA3001 | | NRZ0034-100W | NETWORK RESISTOR 10Ω | C1607 | | NCBA1AK-473W | CAPACITOR 0.047μF,10V |
| RA3002 | | NRZ0034-100W | NETWORK RESISTOR 10Ω | C1614 | | NBE20JM-106X | T CAPACITOR 10μF,6.3V |
| RA3003 | | NRZ0034-100W | NETWORK RESISTOR 10Ω | C1618 | | NCBA1HK-222W | CAPACITOR 0.0022μF,50V |
| RA3004 | | NRZ0034-103W | NETWORK RESISTOR 10kΩ | C1619 | | NCBA1HK-222W | CAPACITOR 0.0022μF,50V |
| RA3005 | | NRZ0040-0R0X | NETWORK RESISTOR 0Ω | C1620 | | NCBA1HK-222W | CAPACITOR 0.0022μF,50V |
| RA4301 | | NRZ0034-101W | NETWORK RESISTOR 100Ω | C1621 | | NCB30JK-105X | CAPACITOR 1μF,6.3V |
| RA4302 | | NRZ0034-101W | NETWORK RESISTOR 100Ω | C1622 | | NCBA1CK-223W | CAPACITOR 0.022μF,16V |
| RA4303 | | NRZ0034-101W | NETWORK RESISTOR 100Ω | C1623 | | NCBA1AK-473W | CAPACITOR 0.047μF,10V |
| RA4307 | | NRZ0034-221W | NETWORK RESISTOR,E,F,G 220Ω | C1624 | | NCBA1CK-103W | CAPACITOR 0.01μF,16V |
| RA4308 | | NRZ0034-221W | NETWORK RESISTOR,E,F,G 220Ω | C1625 | | NCBA1AK-473W | CAPACITOR 0.047μF,10V |
| RA4309 | | NRZ0034-221W | NETWORK RESISTOR,E,F,G 220Ω | C1626 | | NCBA1HK-331W | CAPACITOR 330pF,50V |

| # | △ REF No. | PART No. | PART NAME, DESCRIPTION | # | △ REF No. | PART No. | PART NAME, DESCRIPTION | |
|-------|-----------|--------------|------------------------|--------------|-----------|--------------|------------------------|--------------|
| C1627 | | NCBA1CK-822W | CAPACITOR | 0.0082μF,16V | C3021 | NCBA1AK-104W | CAPACITOR | 0.1μF,10V |
| C1628 | | NCB21CK-224X | CAPACITOR | 0.22μF,16V | C3022 | NCBA1AK-104W | CAPACITOR | 0.1μF,10V |
| C1632 | | NBE20JM-106X | T CAPACITOR | 10μF,6.3V | C3023 | NDCA1HJ-330W | CAPACITOR | 33pF,50V |
| C1633 | | NCB21CK-474X | CAPACITOR | 0.47μF,16V | C3024 | NCBA1HK-102W | CAPACITOR | 0.001μF,50V |
| C1641 | | NCB21CK-474X | CAPACITOR | 0.47μF,16V | C3025 | NCBA1AK-104W | CAPACITOR | 0.1μF,10V |
| C2001 | | NBE20JM-106X | T CAPACITOR | 10μF,6.3V | C3026 | NCB30JK-105X | CAPACITOR | 1μF,6.3V |
| C2002 | | NBE20JM-106X | T CAPACITOR | 10μF,6.3V | C3027 | NCBA1EK-472W | CAPACITOR | 0.0047μF,25V |
| C2004 | | NCB21CK-105X | CAPACITOR | 1μF,16V | C3028 | NDCA1EJ-271W | CAPACITOR | 270pF,25V |
| C2005 | | NCB21CK-105X | CAPACITOR | 1μF,16V | C3029 | NCBA1CK-103W | CAPACITOR | 0.01μF,16V |
| C2006 | | NCBA1HK-102W | CAPACITOR | 0.001μF,50V | C3030 | NCBA1AK-104W | CAPACITOR | 0.1μF,10V |
| C2007 | | NCBA1HK-102W | CAPACITOR | 0.001μF,50V | C3031 | NCBA1AK-104W | CAPACITOR | 0.1μF,10V |
| C2008 | | NCB21CK-105X | CAPACITOR | 1μF,16V | C3032 | NCBA1HK-102W | CAPACITOR | 0.001μF,50V |
| C2009 | | NCB21CK-105X | CAPACITOR | 1μF,16V | C3033 | NDCA1HJ-8R0W | CAPACITOR | 8pF,50V |
| C2010 | | NCB21CK-105X | CAPACITOR | 1μF,16V | C3036 | NDCA1HK-8R0W | CAPACITOR | 8pF,50V |
| C2011 | | NBE20JM-106X | T CAPACITOR | 10μF,6.3V | C3037 | NDCA1HJ-8R0W | CAPACITOR | 8pF,50V |
| C2012 | | NBE20JM-106X | T CAPACITOR | 10μF,6.3V | C3038 | NCBA1AK-104W | CAPACITOR | 0.1μF,10V |
| C2013 | | NCBA1AK-104W | CAPACITOR | 0.1μF,10V | C3039 | NCBA1AK-104W | CAPACITOR | 0.1μF,10V |
| C2014 | | NCBA1AK-104W | CAPACITOR | 0.1μF,10V | C3042 | NCBA1CK-103W | CAPACITOR | 0.01μF,16V |
| C2015 | | NBE20JM-106X | T CAPACITOR | 10μF,6.3V | C3043 | NCBA1CK-103W | CAPACITOR | 0.01μF,16V |
| C2016 | | NCBA1CK-223W | CAPACITOR | 0.022μF,16V | C3044 | NCBA1AK-104W | CAPACITOR | 0.1μF,10V |
| C2017 | | NCBA1AK-333W | CAPACITOR | 0.033μF,10V | C3045 | NCBA1AK-104W | CAPACITOR | 0.1μF,10V |
| C2018 | | NCB31CK-104X | CAPACITOR | 0.1μF,16V | C3046 | NCBA1CK-103W | CAPACITOR | 0.01μF,16V |
| C2019 | | NCB31CK-104X | CAPACITOR | 0.1μF,16V | C3048 | NCB31CK-473X | CAPACITOR | 0.047μF,16V |
| C2020 | | NCBA1AK-104W | CAPACITOR | 0.1μF,10V | C3049 | NCBA1HK-222W | CAPACITOR | 0.0022μF,50V |
| C2021 | | NCBA1AK-104W | CAPACITOR | 0.1μF,10V | C3050 | NCBA1CK-103W | CAPACITOR | 0.01μF,16V |
| C2024 | | NCB21CK-105X | CAPACITOR | 1μF,16V | C3055 | NCBA1CK-103W | CAPACITOR | 0.01μF,16V |
| C2025 | | NBE20JM-106X | T CAPACITOR | 10μF,6.3V | C3064 | NCBA1HK-102W | CAPACITOR | 0.001μF,50V |
| C2103 | | NCB21CK-105X | CAPACITOR | 1μF,16V | C3066 | NCB30JK-105X | CAPACITOR | 1μF,6.3V |
| C2104 | | NCB21CK-105X | CAPACITOR | 1μF,16V | C3067 | NCBA1HK-102W | CAPACITOR | 0.001μF,50V |
| C2109 | | NCBA1HK-102W | CAPACITOR | 0.001μF,50V | C3069 | NCBA1AK-104W | CAPACITOR | 0.1μF,10V |
| C2110 | | NCBA1HK-102W | CAPACITOR | 0.001μF,50V | C3501 | NBE20JM-106X | T CAPACITOR | 10μF,6.3V |
| C2111 | | NCB31CK-104X | CAPACITOR | 0.1μF,16V | C3502 | NBE20JM-106X | T CAPACITOR | 10μF,6.3V |
| C2112 | | NCB31CK-104X | CAPACITOR | 0.1μF,16V | C3503 | NBE20JM-106X | T CAPACITOR | 10μF,6.3V |
| C2115 | | NCBA1CK-223W | CAPACITOR | 0.022μF,16V | C3504 | NCBA1AK-473W | CAPACITOR | 0.047μF,10V |
| C2116 | | NCBA1CK-223W | CAPACITOR | 0.022μF,16V | C3505 | NCBA1CK-223W | CAPACITOR | 0.022μF,16V |
| C2117 | | NCBA1CK-223W | CAPACITOR | 0.022μF,16V | C3506 | NCB21AK-105X | CAPACITOR | 1μF,10V |
| C2118 | | NCBA1CK-223W | CAPACITOR | 0.022μF,16V | C3507 | NCBA1CK-103W | CAPACITOR | 0.01μF,16V |
| C2119 | | NCBA1CK-223W | CAPACITOR | 0.022μF,16V | C3508 | NCBA1CK-103W | CAPACITOR | 0.01μF,16V |
| C2120 | | NCBA1CK-223W | CAPACITOR | 0.022μF,16V | C3509 | NCBA1CK-103W | CAPACITOR | 0.01μF,16V |
| C2121 | | NCBA1EK-472W | CAPACITOR | 0.0047μF,25V | C3510 | NCBA1AK-104W | CAPACITOR | 0.1μF,10V |
| C2122 | | NCBA1EK-472W | CAPACITOR | 0.0047μF,25V | C3511 | NCBA1CK-103W | CAPACITOR | 0.01μF,16V |
| C2123 | | NCBA1EK-472W | CAPACITOR | 0.0047μF,25V | C3512 | NCB31CK-104X | CAPACITOR | 0.1μF,16V |
| C2124 | | NCBA1EK-472W | CAPACITOR | 0.0047μF,25V | C3513 | NCBA1AK-104W | CAPACITOR | 0.1μF,10V |
| C2125 | | NCBA1CK-223W | CAPACITOR | 0.022μF,16V | C3514 | NCBA1AK-473W | CAPACITOR | 0.047μF,10V |
| C2126 | | NCBA1CK-223W | CAPACITOR | 0.022μF,16V | C3515 | NCBA1AK-473W | CAPACITOR | 0.047μF,10V |
| C2127 | | NCB31CK-104X | CAPACITOR | 0.1μF,16V | C3516 | NCBA1AK-473W | CAPACITOR | 0.047μF,10V |
| C2128 | | NCB31CK-104X | CAPACITOR | 0.1μF,16V | C3517 | NCBA1CK-103W | CAPACITOR | 0.01μF,16V |
| C2201 | | NCBA1CK-103W | CAPACITOR | 0.01μF,16V | C3518 | NCBA1CK-103W | CAPACITOR | 0.01μF,16V |
| C2202 | | NCBA1CK-103W | CAPACITOR | 0.01μF,16V | C3519 | NCBA1HK-102W | CAPACITOR | 0.001μF,50V |
| C3001 | | NBE20JM-106X | T CAPACITOR | 10μF,6.3V | C3520 | NCBA1CK-103W | CAPACITOR | 0.01μF,16V |
| C3003 | | NCB30JK-105X | CAPACITOR | 1μF,6.3V | C3521 | NCBA1AK-104W | CAPACITOR | 0.1μF,10V |
| C3005 | | NBE20JM-106X | T CAPACITOR | 10μF,6.3V | C3522 | NCB20JM-475X | CAPACITOR | 4.7μF,6.3V |
| C3006 | | NCB30JK-105X | CAPACITOR | 1μF,6.3V | C3523 | NCBA1CK-103W | CAPACITOR | 0.01μF,16V |
| C3007 | | NCB10JK-106X | CAPACITOR | 10μF,6.3V | C3524 | NCBA1CK-103W | CAPACITOR | 0.01μF,16V |
| C3008 | | NBE20JM-106X | T CAPACITOR | 10μF,6.3V | C3525 | NCB20JM-475X | CAPACITOR | 4.7μF,6.3V |
| C3009 | | NCB30JK-105X | CAPACITOR | 1μF,6.3V | C3526 | NCBA1CK-103W | CAPACITOR | 0.01μF,16V |
| C3011 | | NCBA1AK-104W | CAPACITOR | 0.1μF,10V | C3527 | NDCA1EJ-221W | CAPACITOR | 220pF,25V |
| C3012 | | NCBA1AK-104W | CAPACITOR | 0.1μF,10V | C3528 | NCBA1CK-103W | CAPACITOR | 0.01μF,16V |
| C3013 | | NCBA1CK-103W | CAPACITOR | 0.01μF,16V | C3701 | NBE20JM-106X | T CAPACITOR | 10μF,6.3V |
| C3015 | | NCBA1CK-103W | CAPACITOR | 0.01μF,16V | C3702 | NDCA1HJ-151W | CAPACITOR | 150pF,50V |
| C3016 | | NCBA1AK-104W | CAPACITOR | 0.1μF,10V | C3703 | NDCA1HJ-330W | CAPACITOR | 33pF,50V |
| C3017 | | NCBA1AK-104W | CAPACITOR | 0.1μF,10V | C3704 | NDCA1HJ-101W | CAPACITOR | 100pF,50V |
| C3020 | | NCBA1AK-104W | CAPACITOR | 0.1μF,10V | C3705 | NDCA1HJ-330W | CAPACITOR | 33pF,50V |

| # | △ REF No. | PART No. | PART NAME, DESCRIPTION | # | △ REF No. | PART No. | PART NAME, DESCRIPTION | | |
|---|-----------|--------------|------------------------|------------|-----------|----------|------------------------|-------------|--------------|
| | C3706 | NCBA1CK-103W | CAPACITOR | 0.01μF,16V | | C4341 | NCBA1AK-104W | CAPACITOR | 0.1μF,10V |
| | C3707 | NCFA1AZ-104W | CAPACITOR | 0.1μF,10V | | C4342 | NCBA1AK-104W | CAPACITOR | 0.1μF,10V |
| | C3708 | NCB30JK-105X | CAPACITOR | 1μF,6.3V | | C4343 | NCBA1AK-104W | CAPACITOR | 0.1μF,10V |
| | C3709 | NCBA1CK-103W | CAPACITOR | 0.01μF,16V | | C4344 | NCBA1AK-104W | CAPACITOR | 0.1μF,10V |
| | C3710 | NCBA1CK-103W | CAPACITOR | 0.01μF,16V | | C4345 | NCBA1AK-104W | CAPACITOR | 0.1μF,10V |
| | C3712 | NEA70GM-337X | E CAPACITOR | 330μF,4.0V | | C4346 | NCBA1AK-104W | CAPACITOR | 0.1μF,10V |
| | C3713 | NEA70GM-337X | E CAPACITOR | 330μF,4.0V | | C4347 | NCBA1AK-104W | CAPACITOR | 0.1μF,10V |
| | C4201 | NBE40GM-107X | T CAPACITOR | 100μF,4.0V | | C4348 | NCBA1AK-104W | CAPACITOR | 0.1μF,10V |
| | C4202 | NCBA1AK-104W | CAPACITOR | 0.1μF,10V | | C4349 | NCBA1AK-104W | CAPACITOR | 0.1μF,10V |
| | C4203 | NCB30JK-105X | CAPACITOR | 1μF,6.3V | | C4350 | NCBA1AK-104W | CAPACITOR | 0.1μF,10V |
| | C4204 | NCBA1AK-104W | CAPACITOR | 0.1μF,10V | | C4803 | NBE20JM-106X | T CAPACITOR | 10μF,6.3V |
| | C4205 | NCBA1AK-104W | CAPACITOR | 0.1μF,10V | | C4804 | NCFA1AZ-104W | CAPACITOR | 0.1μF,10V |
| | C4206 | NCB21CK-105X | CAPACITOR | 1μF,16V | | C4806 | NCFA1AZ-104W | CAPACITOR | 0.1μF,10V |
| | C4207 | NCBA1AK-104W | CAPACITOR | 0.1μF,10V | | C4808 | NCB30JK-105X | CAPACITOR | 1μF,6.3V |
| | C4208 | NCBA1AK-104W | CAPACITOR | 0.1μF,10V | | C4809 | NCFA1AZ-104W | CAPACITOR | 0.1μF,10V |
| | C4209 | NCB30JK-105X | CAPACITOR | 1μF,6.3V | | C4810 | NCBA1CK-103W | CAPACITOR | 0.01μF,16V |
| | C4210 | NCBA1AK-104W | CAPACITOR | 0.1μF,10V | | C4811 | NCBA1CK-103W | CAPACITOR | 0.01μF,16V |
| | C4211 | NCBA1AK-104W | CAPACITOR | 0.1μF,10V | | C4812 | NCFA1AZ-104W | CAPACITOR | 0.1μF,10V |
| | C4212 | NCBA1AK-104W | CAPACITOR | 0.1μF,10V | | C4813 | NCFA1AZ-104W | CAPACITOR | 0.1μF,10V |
| | C4213 | NCBA1AK-104W | CAPACITOR | 0.1μF,10V | | C4814 | NCFA1AZ-104W | CAPACITOR | 0.1μF,10V |
| | C4214 | NCB30JK-105X | CAPACITOR,A,B,E | 1μF,6.3V | | C4815 | NCB31HK-152X | CAPACITOR | 0.0015μF,50V |
| | | NCBA1AK-104W | CAPACITOR,F,G | 0.1μF,10V | | C4819 | NCB31CK-104X | CAPACITOR | 0.1μF,16V |
| | C4215 | NCB30JK-105X | CAPACITOR,A,B,E | 1μF,6.3V | | C4824 | NCBA1CK-223W | CAPACITOR | 0.022μF,16V |
| | | NCBA1AK-104W | CAPACITOR,F,G | 0.1μF,10V | | C4851 | NBE20JM-106X | T CAPACITOR | 10μF,6.3V |
| | C4216 | NCBA1AK-104W | CAPACITOR | 0.1μF,10V | | C4852 | NCFA1AZ-104W | CAPACITOR | 0.1μF,10V |
| | C4217 | NCBA1AK-104W | CAPACITOR | 0.1μF,10V | | C4853 | NBE21AM-335X | T CAPACITOR | 3.3μF,10V |
| | C4218 | NCB30JK-105X | CAPACITOR,A,B,E | 1μF,6.3V | | C4854 | NBE21AM-106X | T CAPACITOR | 10μF,10V |
| | C4301 | NCBA1AK-104W | CAPACITOR | 0.1μF,10V | | C4855 | NCB31CK-104X | CAPACITOR | 0.1μF,16V |
| | C4303 | NCBA1AK-104W | CAPACITOR | 0.1μF,10V | | C4858 | NCA1HJ-330W | CAPACITOR | 33pF,50V |
| | C4304 | NCBA1AK-104W | CAPACITOR | 0.1μF,10V | | C4859 | NCBA1CK-223W | CAPACITOR | 0.022μF,16V |
| | C4305 | NBE20JM-106X | T CAPACITOR | 10μF,6.3V | | C4860 | NCBA1CK-223W | CAPACITOR | 0.022μF,16V |
| | C4306 | NCBA1AK-104W | CAPACITOR | 0.1μF,10V | | C4861 | NCBA1HK-102W | CAPACITOR | 0.001μF,50V |
| | C4307 | NBE20JM-106X | T CAPACITOR | 10μF,6.3V | | C4862 | NCBA1HK-102W | CAPACITOR | 0.001μF,50V |
| | C4308 | NCBA1AK-104W | CAPACITOR | 0.1μF,10V | | C4864 | NBE20JM-106X | T CAPACITOR | 10μF,6.3V |
| | C4309 | NCBA1AK-104W | CAPACITOR | 0.1μF,10V | | C4865 | NCBA1AK-104W | CAPACITOR | 0.1μF,10V |
| | C4310 | NBE20JM-106X | T CAPACITOR | 10μF,6.3V | | C5501 | NCBA1AK-104W | CAPACITOR | 0.1μF,10V |
| | C4311 | NCB30JK-105X | CAPACITOR | 1μF,6.3V | | C5503 | NCBA1AK-104W | CAPACITOR | 0.1μF,10V |
| | C4312 | NCBA1AK-104W | CAPACITOR | 0.1μF,10V | | C5504 | NCBA1AK-104W | CAPACITOR | 0.1μF,10V |
| | C4313 | NBE20JM-226X | T CAPACITOR | 22μF,6.3V | | C5505 | NCBA1AK-104W | CAPACITOR | 0.1μF,10V |
| | C4314 | NCBA1AK-104W | CAPACITOR | 0.1μF,10V | | C5506 | NBE40GM-476X | T CAPACITOR | 47μF,4.0V |
| | C4315 | NBE20JM-106X | T CAPACITOR | 10μF,6.3V | | C5507 | NCBA1AK-104W | CAPACITOR | 0.1μF,10V |
| | C4317 | NCBA1AK-104W | CAPACITOR | 0.1μF,10V | | C5508 | NCBA1AK-104W | CAPACITOR | 0.1μF,10V |
| | C4318 | NCBA1AK-104W | CAPACITOR | 0.1μF,10V | | C5509 | NCBA1AK-104W | CAPACITOR | 0.1μF,10V |
| | C4319 | NCBA1AK-104W | CAPACITOR | 0.1μF,10V | | C5510 | NBP21VM-105X | T CAPACITOR | 1μF,35V |
| | C4320 | NCBA1AK-104W | CAPACITOR | 0.1μF,10V | | C5511 | NBP21DM-475X | T CAPACITOR | 4.7μF,20V |
| | C4321 | NCBA1AK-104W | CAPACITOR | 0.1μF,10V | | C5512 | NBE21AM-106X | T CAPACITOR | 10μF,10V |
| | C4322 | NCBA1AK-104W | CAPACITOR | 0.1μF,10V | | C5513 | NCB31CK-104X | CAPACITOR | 0.1μF,16V |
| | C4324 | NBE20JM-106X | T CAPACITOR | 10μF,6.3V | | C5514 | NCBA1AK-104W | CAPACITOR | 0.1μF,10V |
| | C4325 | NCBA1AK-104W | CAPACITOR | 0.1μF,10V | | C5515 | NCBA1AK-104W | CAPACITOR | 0.1μF,10V |
| | C4327 | NCBA1AK-104W | CAPACITOR | 0.1μF,10V | | C5516 | NCBA1AK-104W | CAPACITOR | 0.1μF,10V |
| | C4328 | NCBA1AK-104W | CAPACITOR | 0.1μF,10V | | C5517 | NCB31CK-104X | CAPACITOR | 0.1μF,16V |
| | C4329 | NCBA1AK-104W | CAPACITOR | 0.1μF,10V | | C5518 | NCBA1AK-104W | CAPACITOR | 0.1μF,10V |
| | C4330 | NCBA1AK-104W | CAPACITOR | 0.1μF,10V | | C5519 | NCBA1AK-104W | CAPACITOR | 0.1μF,10V |
| | C4331 | NBE20JM-106X | T CAPACITOR | 10μF,6.3V | | C6001 | NCBA1CK-103W | CAPACITOR | 0.01μF,16V |
| | C4332 | NCBA1AK-104W | CAPACITOR | 0.1μF,10V | | C6004 | NCB30JK-105X | CAPACITOR | 1μF,6.3V |
| | C4333 | NCBA1AK-104W | CAPACITOR | 0.1μF,10V | | C6005 | NCA1HJ-101W | CAPACITOR | 100pF,50V |
| | C4334 | NCBA1AK-104W | CAPACITOR | 0.1μF,10V | | C6101 | NCB21CK-105X | CAPACITOR | 1μF,16V |
| | C4335 | NCBA1AK-104W | CAPACITOR | 0.1μF,10V | | C6102 | NEA71CM-106X | E CAPACITOR | 10μF,16V |
| | C4336 | NCBA1AK-104W | CAPACITOR | 0.1μF,10V | | C6103 | NCB21CK-105X | CAPACITOR | 1μF,16V |
| | C4337 | NCBA1AK-104W | CAPACITOR | 0.1μF,10V | | C6105 | NCB21CK-105X | CAPACITOR | 1μF,16V |
| | C4338 | NCBA1AK-104W | CAPACITOR | 0.1μF,10V | | C6106 | NCB30JK-105X | CAPACITOR | 1μF,6.3V |
| | C4339 | NCBA1AK-104W | CAPACITOR | 0.1μF,10V | | C6107 | NCB30JK-105X | CAPACITOR | 1μF,6.3V |
| | C4340 | NCBA1AK-104W | CAPACITOR | 0.1μF,10V | | C6108 | NCB30JK-105X | CAPACITOR | 1μF,6.3V |

| # | △ REF No. | PART No. | PART NAME, DESCRIPTION | # | △ REF No. | PART No. | PART NAME, DESCRIPTION |
|-------|-----------|--------------|------------------------------|-------|-----------|---------------|----------------------------------|
| C6109 | | NCB30JK-105X | CAPACITOR 1μF,6.3V | L3001 | | NQR0129-002X | FERRITE BEAD |
| C6110 | | NCBA1AK-104W | CAPACITOR 0.1μF,10V | L3002 | | NQR0129-002X | FERRITE BEAD |
| C6111 | | NCBA1AK-104W | CAPACITOR 0.1μF,10V | L3004 | | NQR0006-001X | FERRITE BEAD |
| C6112 | | NCBA1AK-333W | CAPACITOR 0.033μF,10V | L3005 | | NQR0006-001X | FERRITE BEAD |
| C6113 | | NCBA1HK-561W | CAPACITOR 560pF,50V | L3007 | | NQL085J-2R2X | COIL 2.2μH |
| C6114 | | NCBA1HK-272W | CAPACITOR 0.0027μF,50V | L3008 | | NQL085J-120X | COIL 12μH |
| C6115 | | NCBA1HK-561W | CAPACITOR 560pF,50V | L3012 | | NQR0129-002X | FERRITE BEAD |
| C6116 | | NCBA1CK-103W | CAPACITOR 0.01μF,16V | L3015 | | NQR0006-001X | FERRITE BEAD |
| C6117 | | NCBA1AK-104W | CAPACITOR 0.1μF,10V | L3501 | | NQR0129-002X | FERRITE BEAD |
| C6118 | | NCBA1AK-104W | CAPACITOR 0.1μF,10V | L3502 | | NQL402M-100X | COIL 10μH |
| C6119 | | NDCA1HJ-101W | CAPACITOR 100pF,50V | L3503 | | NQR0006-001X | FERRITE BEAD |
| C6120 | | NCB30JK-105X | CAPACITOR 1μF,6.3V | L3504 | | NQR0006-001X | FERRITE BEAD |
| C6121 | | NCBA1AK-104W | CAPACITOR 0.1μF,10V | L3505 | | NQR0006-001X | FERRITE BEAD |
| C6122 | | NCBA1CK-223W | CAPACITOR 0.022μF,16V | L3701 | | NQL38DK-100X | COIL 10μH |
| C6123 | | NCBA1CK-103W | CAPACITOR 0.01μF,16V | L4201 | | NQR0129-002X | FERRITE BEAD |
| C6124 | | NCBA1CK-103W | CAPACITOR 0.01μF,16V | L4301 | | NQR0129-002X | FERRITE BEAD |
| C6125 | | NCBA1CK-103W | CAPACITOR 0.01μF,16V | L4302 | | NQR0129-002X | FERRITE BEAD |
| C6126 | | NCBA1CK-103W | CAPACITOR 0.01μF,16V | L4303 | | NQL315K-100X | COIL 10μH |
| C6127 | | NCBA1HK-102W | CAPACITOR 0.001μF,50V | L4304 | | NQL315K-220X | COIL 22μH |
| C6128 | | NCB21CK-105X | CAPACITOR 1μF,16V | L4305 | | NQR0129-002X | FERRITE BEAD |
| C6129 | | NCBA1HK-561W | CAPACITOR 560pF,50V | L4306 | | NQR0129-002X | FERRITE BEAD |
| C6130 | | NCBA1AK-104W | CAPACITOR 0.1μF,10V | L4307 | | NQL315K-100X | COIL 10μH |
| C6131 | | NCBA1AK-104W | CAPACITOR 0.1μF,10V | L4802 | | NQL302N-100X | COIL 10μH |
| C6132 | | NCBA1AK-104W | CAPACITOR 0.1μF,10V | L4851 | | NQR0129-002X | FERRITE BEAD |
| C6134 | | NCBA1AK-104W | CAPACITOR 0.1μF,10V | L4852 | | NQL315K-100X | COIL 10μH |
| C6201 | | NCB21CK-105X | CAPACITOR 1μF,16V | L4853 | | NQL315K-100X | COIL 10μH |
| C6202 | | NCB10JK-106X | CAPACITOR 10μF,6.3V | L5501 | | NQL315K-100X | COIL 10μH |
| C6203 | | NCBA1HK-102W | CAPACITOR 0.001μF,50V | L5502 | | NQR0129-002X | FERRITE BEAD |
| C6204 | | NCBA1HK-561W | CAPACITOR 560pF,50V | L5503 | | NQR0129-002X | FERRITE BEAD |
| C6205 | | NCB30JK-105X | CAPACITOR 1μF,6.3V | L5504 | | NQR0129-002X | FERRITE BEAD |
| C6206 | | NCB21CK-105X | CAPACITOR 1μF,16V | L5505 | | NQL315K-100X | COIL 10μH |
| C6207 | | NCB10JK-106X | CAPACITOR 10μF,6.3V | L5506 | | NQL315K-100X | COIL 10μH |
| C6208 | | NCBA1EK-472W | CAPACITOR 0.0047μF,25V | L6101 | | NQLZ011-4R7X | COIL 4.7μH |
| C6209 | | NCB21CK-105X | CAPACITOR 1μF,16V | L6102 | | NQLZ011-4R7X | COIL 4.7μH |
| C6210 | | NCB10JK-106X | CAPACITOR 10μF,6.3V | L6201 | | NQL52EM-390X | COIL 39μH |
| C6211 | | NCBA1HK-102W | CAPACITOR 0.001μF,50V | L6202 | | NQL52EM-390X | COIL 39μH |
| C6212 | | NCB21CK-105X | CAPACITOR,B,E,F,G 1μF,16V | L6203 | | NQL52EM-390X | COIL 39μH |
| C6213 | | NCB30JK-105X | CAPACITOR,B,E,F,G 1μF,6.3V | L6204 | | NQL144K-220X | COIL 22μH |
| C6214 | | NCB21CK-105X | CAPACITOR 1μF,16V | L6205 | | NQL64EM-220X | COIL,B,E,F,G 22μH |
| C6215 | | NCB21CK-105X | CAPACITOR 1μF,16V | L6206 | | NQLZ011-470X | COIL 47μH |
| C6216 | | NCBA1AK-683W | CAPACITOR 0.068μF,10V | L6207 | | NQLZ011-470X | COIL 47μH |
| C6217 | | NCB21CK-105X | CAPACITOR 1μF,16V | L6208 | | NQLZ011-221X | COIL 220μH |
| C6218 | | NCB21CK-105X | CAPACITOR 1μF,16V | L6701 | | NQLZ010-100X | COIL 10μH |
| C6219 | | NCB21CK-224X | CAPACITOR 0.22μF,16V | X1001 | | NAX0474-001X | C OSCILLATOR |
| C6220 | | NCB21CK-105X | CAPACITOR 1μF,16V | X1002 | | NAX0325-001X | CRYSTAL RESONATOR |
| C6221 | | NCB11EK-105X | CAPACITOR 1μF,25V | X1401 | | NAX0204-001X | CRYSTAL RESONATOR |
| C6222 | | NCB11EK-105X | CAPACITOR 1μF,25V | X3002 | | NAX0480-001X | CRYSTAL RESONATOR |
| C6224 | | NCBA1HK-102W | CAPACITOR 0.001μF,50V | X5501 | | NAX0356-001X | CXO |
| C6225 | | NCBA1CK-103W | CAPACITOR 0.01μF,16V | WR1 | | WJT0065-001A | E-CARD WIRE,CN102-JACK CN502 |
| C6226 | | NCB21CK-105X | CAPACITOR 1μF,16V | WR2 | | WJJ0268-001A | E-SI C WIRE C-C,CN104-REAR CN552 |
| C6227 | | NCB11EK-105X | CAPACITOR 1μF,25V | WR3 | | WJM0291-001A | E-S1 C WIRE C-F,C5506-CCD WR1 |
| C6228 | | NCB11EK-105X | CAPACITOR 1μF,25V | CN101 | | QGF0508F1-40X | FPC CONNECTOR |
| C6230 | | NCB21CK-105X | CAPACITOR 1μF,16V | CN102 | | QGF0505F2-24X | FPC CONNECTOR |
| C6231 | | NCBA1CK-103W | CAPACITOR,B,E,F,G 0.01μF,16V | CN103 | | QGF0503C1-12V | FFC/FPC CONNECTOR |
| C6701 | | NCB21CK-105X | CAPACITOR 1μF,16V | CN104 | | QGA1002C1-06X | CONNECTOR |
| C6703 | | NCB21CK-105X | CAPACITOR 1μF,16V | CN105 | | QGB0801K2-30X | CONNECTOR |
| L1002 | | NQL315K-100X | COIL 10μH | CN106 | | QGA1201C2-07X | CONNECTOR |
| L1401 | | NQR0006-001X | FERRITE BEAD | CN107 | | QGF0503C1-20X | FFC/FPC CONNECTOR |
| L2001 | | NQL315K-100X | COIL 10μH | CN108 | | QGF0512C1-24X | FPC CONNECTOR |
| L2002 | | NQL38DK-220X | COIL 22μH | CN109 | | QGF0507F3-15X | FFC/FPC CONNECTOR,A,B |
| L2101 | | NQR0269-013X | FERRITE BEAD | | | QGF0507F4-15X | FFC/FPC CONNECTOR,E,F,G |
| L2102 | | NQR0269-013X | FERRITE BEAD | CN110 | | QGF0505F1-08X | FPC CONNECTOR |
| L2103 | | NQR0269-013X | FERRITE BEAD | CN111 | | QGB0501L1-80X | CONNECTOR,E,F,G |

| # | △ REF No. | PART No. | PART NAME, DESCRIPTION |
|---|-----------|----------------|------------------------|
| | CN112 | QGF0505F2-18X | FPC CONNECTOR |
| | CN113 | QGF0508F1-33X | FPC CONNECTOR |
| △ | F6101 | NMFZ007-2R0X-K | FUSE T2.0A,50V |
| | OT1 | LY43491-001A | SHEET(MAIN) |
| | OT2 | LY43549-001A | SHEET(MECHA) |
| | SD1 | LY32080-001A | SHIELD CASE |

TA E BOARD ASSY(A,B,E)

| | | | |
|-----|---------------|--------------------------|-----------|
| PW2 | YB20932A | TA E BOARD ASSY | |
| C1 | NE20JM-106X | T CAPACITOR | 10μF,6.3V |
| J1 | YU40017-045-8 | THIN WIRE,RA1009 1-4 PIN | |
| J2 | YU40017-020-1 | THIN WIRE,CN111 1,2 PIN | |
| OT1 | PU59915-105 | #500 SPACER 0.01 | |
| OT2 | LY30029-0U4A | SPACER(A) | |

MONITOR BOARD ASSEMBLY <02>

| | | | |
|--------|-------------------|------------------------|-------------|
| PW | YB10360A-02 | MONITOR BOARD ASSY,A | |
| | YB10360B-02 | MONITOR BOARD ASSY,B | |
| | YB10360D-02 | MONITOR BOARD ASSY,G | |
| | YB10360G-02 | MONITOR BOARD ASSY,E,F | |
| IC7101 | TC7SH32FU | IC(DIGITAL) | |
| IC7601 | AN2540FHQ | IC | |
| IC7602 | BA4558F | IC | |
| IC7603 | AT25040N-10SC-X | IC | |
| | or 25LC040-I/SN-X | IC | |
| IC7604 | SN74LV08APW | IC | |
| Q7101 | 2SA1774/QR/-X | TRANSISTOR | |
| | or 2SA1832/YG/-X | TRANSISTOR,A,B,G | |
| Q7102 | 2SC4617/QR/-X | TRANSISTOR | |
| Q7601 | 2SC4617/QR/-X | TRANSISTOR | |
| | or 2SC4738/YG/-X | TRANSISTOR | |
| | or 2SD2216J/QR/-X | TRANSISTOR | |
| Q7602 | 2SA1774/QR/-X | TRANSISTOR | |
| | or 2SA1832/YG/-X | TRANSISTOR | |
| Q7603 | 2SC4617/QR/-X | TRANSISTOR | |
| | or 2SC4738/YG/-X | TRANSISTOR | |
| | or 2SD2216J/QR/-X | TRANSISTOR | |
| Q7604 | 2SA1774/QR/-X | TRANSISTOR | |
| | or 2SA1832/YG/-X | TRANSISTOR | |
| Q7608 | DTC144EE | TRANSISTOR | |
| | or RN1104 | TRANSISTOR | |
| | or UN9213J | TRANSISTOR | |
| Q7609 | DTC144EE | TRANSISTOR | |
| | or RN1104 | TRANSISTOR | |
| | or UN9213J | TRANSISTOR | |
| Q7610 | DTA144EE | TRANSISTOR | |
| | or UN9113J | TRANSISTOR | |
| | or RN2104 | TRANSISTOR | |
| D1 | SML-110MT-X | LE DIODE | |
| D7601 | FC806 | SB DIODE | |
| D7602 | UDZS6.8B | ZENER DIODE | |
| R1 | NRSA63J-103X | MG RESISTOR | 10kΩ,1/16W |
| R2 | NRSA63J-103X | MG RESISTOR,B,E,F,G | 10kΩ,1/16W |
| R3 | NRSA63J-103X | MG RESISTOR | 10kΩ,1/16W |
| R4 | NRSA63J-152X | MG RESISTOR | 1.5kΩ,1/16W |
| R5 | NRSA63J-182X | MG RESISTOR | 1.8kΩ,1/16W |
| R6 | NRSA63J-272X | MG RESISTOR | 2.7kΩ,1/16W |

| # | △ REF No. | PART No. | PART NAME, DESCRIPTION |
|---|-----------|--------------|---------------------------------|
| | R7 | NRSA63J-103X | MG RESISTOR,E,F,G 10kΩ,1/16W |
| | R8 | NRSA63J-152X | MG RESISTOR,E,F,G 1.5kΩ,1/16W |
| | R18 | NRSA63J-473X | MG RESISTOR,E,F,G 47kΩ,1/16W |
| | R19 | NRSA63J-103X | MG RESISTOR,E,F,G 10kΩ,1/16W |
| | R21 | NRSA63J-103X | MG RESISTOR,E,F,G 10kΩ,1/16W |
| | R22 | NRSA63J-473X | MG RESISTOR,E,F,G 47kΩ,1/16W |
| | R23 | NRSA63J-104X | MG RESISTOR,E,F,G 100kΩ,1/16W |
| | R7110 | NRSA63J-562X | MG RESISTOR 5.6kΩ,1/16W |
| | R7111 | NRSA63J-0R0X | MG RESISTOR 0Ω,1/16W |
| | R7113 | NRSA63J-0R0X | MG RESISTOR 0Ω,1/16W |
| | R7114 | NRSA63J-271X | MG RESISTOR 270Ω,1/16W |
| | R7116 | NRSA63J-102X | MG RESISTOR 1kΩ,1/16W |
| | R7601 | NRVA63D-622X | CMF RESISTOR 6.2kΩ,1/16W |
| | R7602 | NRSA63J-153X | MG RESISTOR 15kΩ,1/16W |
| | R7603 | NRSA63J-683X | MG RESISTOR 68kΩ,1/16W |
| | R7605 | NRSA63J-0R0X | MG RESISTOR 0Ω,1/16W |
| | R7606 | NRSA63J-0R0X | MG RESISTOR 0Ω,1/16W |
| | R7608 | NRSA63J-153X | MG RESISTOR 15kΩ,1/16W |
| | R7609 | NRVA63D-223X | CMF RESISTOR 22kΩ,1/16W |
| | R7610 | NRVA63D-433X | CMF RESISTOR 43kΩ,1/16W |
| | R7611 | NRVA63D-821X | CMF RESISTOR 820Ω,1/16W |
| | R7612 | NRVA63D-682X | CMF RESISTOR,G 6.8kΩ,1/16W |
| | | NRVA63D-223X | CMF RESISTOR,A,B,E,F 22kΩ,1/16W |
| | R7613 | NRVA63D-223X | CMF RESISTOR 22kΩ,1/16W |
| | R7614 | NRVA63D-223X | CMF RESISTOR 22kΩ,1/16W |
| | R7615 | NRSA63J-223X | MG RESISTOR 22kΩ,1/16W |
| | R7616 | NRSA63J-223X | MG RESISTOR 22kΩ,1/16W |
| | R7617 | NRSA02J-561X | MG RESISTOR 560Ω,1/10W |
| | R7618 | NRSA02J-561X | MG RESISTOR 560Ω,1/10W |
| | R7621 | NRSA63J-0R0X | MG RESISTOR 0Ω,1/16W |
| | R7624 | NRVA63D-223X | CMF RESISTOR,G 22kΩ,1/16W |
| | R7625 | NRVA63D-223X | CMF RESISTOR,G 22kΩ,1/16W |
| | R7630 | NRSA63J-223X | MG RESISTOR 22kΩ,1/16W |
| | R7631 | NRSA63J-335X | MG RESISTOR 3.3MΩ,1/16W |
| | R7633 | NRSA63J-103X | MG RESISTOR 10kΩ,1/16W |
| | R7636 | NRSA63J-101X | MG RESISTOR 100Ω,1/16W |
| | R7637 | NRSA63J-101X | MG RESISTOR 100Ω,1/16W |
| | R7638 | NRSA63J-101X | MG RESISTOR 100Ω,1/16W |
| | R7650 | NRSA63J-0R0X | MG RESISTOR 0Ω,1/16W |
| | R7652 | NRSA63J-0R0X | MG RESISTOR 0Ω,1/16W |
| | C1 | NCB31EK-103X | CAPACITOR 0.01μF,25V |
| | C11 | NBE20JM-106X | T CAPACITOR,E,F,G 10μF,6.3V |
| | C7101 | NDC31HJ-221X | CAPACITOR 220pF,50V |
| | C7102 | NCF31CZ-104X | CAPACITOR 0.1μF,16V |
| | C7601 | NCB21CK-105X | CAPACITOR 1μF,16V |
| | C7602 | NCB31EK-103X | CAPACITOR 0.01μF,25V |
| | C7603 | NCB11CK-225X | CAPACITOR 2.2μF,16V |
| | C7604 | NCB11CK-225X | CAPACITOR 2.2μF,16V |
| | C7605 | NCB11CK-225X | CAPACITOR 2.2μF,16V |
| | C7606 | NCB31CK-104X | CAPACITOR 0.1μF,16V |
| | C7607 | NCB41CK-106X | CAPACITOR 10μF,16V |
| | C7608 | NCB31EK-103X | CAPACITOR 0.01μF,25V |
| | C7609 | NCB31CK-104X | CAPACITOR 0.1μF,16V |
| | C7610 | NCB11CK-225X | CAPACITOR 2.2μF,16V |
| | C7611 | NCB11CK-225X | CAPACITOR 2.2μF,16V |
| | C7612 | NCB11CK-225X | CAPACITOR 2.2μF,16V |
| | C7613 | NCB11CK-225X | CAPACITOR 2.2μF,16V |
| | C7614 | NCB31HK-152X | CAPACITOR 0.0015μF,50V |
| | C7615 | NCB31EK-103X | CAPACITOR 0.01μF,25V |
| | C7616 | NCB31EK-103X | CAPACITOR 0.01μF,25V |
| | C7617 | NCB31EK-103X | CAPACITOR 0.01μF,25V |
| | C7618 | NCB10JK-106X | CAPACITOR 10μF,6.3V |
| | C7619 | NCB10JK-106X | CAPACITOR 10μF,6.3V |

| # | △ REF No. | PART No. | PART NAME, DESCRIPTION |
|--------|-----------|---------------|----------------------------------|
| C7620 | | NCB31EK-103X | CAPACITOR 0.01μF,25V |
| C7621 | | NCB21CK-105X | CAPACITOR 1μF,16V |
| C7622 | | NCB21CK-105X | CAPACITOR 1μF,16V |
| C7623 | | NBE21AM-106X | T CAPACITOR 10μF,10V |
| C7624 | | NCB31EK-103X | CAPACITOR 0.01μF,25V |
| C7626 | | NCB31CK-104X | CAPACITOR 0.1μF,16V |
| C7627 | | NCF31CZ-104X | CAPACITOR 0.1μF,16V |
| C7628 | | NBP41EM-475X | T CAPACITOR 4.7μF,25V |
| C7629 | | NBP21CM-335X | T CAPACITOR 3.3μF,16V |
| C7630 | | NBP41EM-475X | T CAPACITOR 4.7μF,25V |
| C7631 | | NCB31EK-103X | CAPACITOR 0.01μF,25V |
| C7632 | | NBP41EM-475X | T CAPACITOR 4.7μF,25V |
| C7633 | | NCB31EK-103X | CAPACITOR 0.01μF,25V |
| C7634 | | NCB11CK-225X | CAPACITOR 2.2μF,16V |
| C7635 | | NCB31EK-103X | CAPACITOR 0.01μF,25V |
| C7636 | | NCF31CZ-104X | CAPACITOR,G 0.1μF,16V |
| C7637 | | NCB31EK-103X | CAPACITOR 0.01μF,25V |
| C7640 | | NCB31EK-103X | CAPACITOR 0.01μF,25V |
| C7642 | | NCF31CZ-104X | CAPACITOR 0.1μF,16V |
| L10 | | NQR0129-002X | FERRITE BEAD,E,F,G |
| L7601 | | NQL365K-100X | COIL 10μH |
| L7602 | | NQL365K-470X | COIL 47μH |
| L7603 | | NQL365K-100X | COIL 10μH |
| L7604 | | NQL365K-100X | COIL 10μH |
| L7605 | | NQL365K-100X | COIL,A,B,E,F 10μH |
| L7606 | | NQL365K-100X | COIL,G 10μH |
| L7607 | | NQL365K-100X | COIL 10μH |
| SW1 | | NSW0092-001X | SLIDE SWITCH,VIDEO LIGHT,B,E,F,G |
| SW2 | | NSW0008-001X | TACT SWITCH,STOP/BACKLIGHT |
| SW3 | | NSW0008-001X | TACT SWITCH,REW/NIGHT |
| SW4 | | NSW0008-001X | TACT SWITCH,FF |
| SW5 | | NSW0008-001X | TACT SWITCH,PLAY/PAUSE |
| SW6 | | NSW0099-001X | SLIDE SWITCH,VIDEO/MEMORY,E,F,G |
| SW7 | | NSW0160-001X | TACT SWITCH,INFO,E,F,G |
| SW8 | | NSW0160-001X | TACT SWITCH,INDEX,E,F,G |
| SW7601 | | QSW0451-001 | PUSH SWITCH,MONITOR OPEN |
| J7601 | | QND0087-001 | S JACK |
| △ BT1 | | QAB0025-001 | LI BATTERY |
| CN761 | | QGF0508F1-40X | FPC CONNECTOR |
| CN762 | | QGF0508F1-10X | FPC CONNECTOR,E,F,G |
| CN763 | | QGF0507F3-20X | FFC/FPC CONNECTOR |
| CN764 | | QGF0508F1-33X | FPC CONNECTOR |
| CN765 | | QGA1201F2-02X | CONNECTOR |
| CN766 | | NNZ0058-001X | SD CARD CONNECTOR,E,F,G |

LCD BL BOARD ASSEMBLY <03>

| | | |
|-------|-------------------|------------------------|
| PW | YB10325D | LCD BL BOARD ASSY |
| Q7501 | 2SD1664/QR/-W | TRANSISTOR |
| Q7502 | 2SD1664/QR/-W | TRANSISTOR |
| Q7503 | DTA144EE | TRANSISTOR |
| | or RN2104 | TRANSISTOR |
| | or UN9113J | TRANSISTOR |
| Q7504 | 2SC4617/QR/-X | TRANSISTOR |
| | or 2SD2216J/QR/-X | TRANSISTOR |
| | or 2SC4738/YG/-X | TRANSISTOR |
| R7501 | NRSA63J-102X | MG RESISTOR 1kΩ,1/16W |
| R7502 | NRSA63J-102X | MG RESISTOR 1kΩ,1/16W |
| R7503 | NRSA63J-102X | MG RESISTOR 1kΩ,1/16W |
| R7506 | NRSA63J-473X | MG RESISTOR 47kΩ,1/16W |

| # | △ REF No. | PART No. | PART NAME, DESCRIPTION |
|---------|-----------|----------------|------------------------|
| R7507 | | NRSA63J-473X | MG RESISTOR 47kΩ,1/16W |
| R7511 | | NRSA63J-0R0X | MG RESISTOR 0Ω,1/16W |
| C7501 | | NCZ1016-180X | CAPACITOR 18pF,2kV |
| C7503 | | NCB31EK-273X | CAPACITOR 0.027μF,25V |
| C7504 | | NCB31EK-103X | CAPACITOR 0.01μF,25V |
| C7505 | | NBE20JM-106X | T CAPACITOR 10μF,6.3V |
| L7501 | | NQLZ010-680X | COIL 68μH |
| T7501 | | NQS0048-001X | SW TRANSF |
| CN751 | | QGF0506F2-32X | FPC CONNECTOR |
| CN752 | | QGF0505F1-24X | FPC CONNECTOR |
| CN753 | | QGA5002F1-02X | CONNECTOR |
| △ F7501 | | NMFZ007-R40X-K | FUSE T0.4A,50V |
| OT1 | | LY41726-001A | PLATE(EARTH) |

CCD BOARD ASSEMBLY <04>

| | | |
|-------|---------------|--------------------------------|
| PW | YB20914A-01 | CCD BOARD ASSY,A,B |
| | YB20914B-01 | CCD BOARD ASSY,E,F,G |
| Q5201 | 2SC3931/CD/-X | TRANSISTOR |
| Q5202 | 2SC4081/RS/-X | TRANSISTOR,E,F,G |
| R5201 | NRSA63J-472X | MG RESISTOR 4.7kΩ,1/16W |
| R5202 | NRSA63J-0R0X | MG RESISTOR 0Ω,1/16W |
| R5203 | NRSA63J-104X | MG RESISTOR 100kΩ,1/16W |
| R5204 | NRS181J-0R0X | MG RESISTOR 0Ω,1/8W |
| R5205 | NRSA63J-472X | MG RESISTOR,E,F,G 4.7kΩ,1/16W |
| C5201 | NCB21CK-104X | CAPACITOR 0.1μF,16V |
| C5202 | NBP41DM-106X | T CAPACITOR 10μF,20V |
| C5203 | NCB21CK-104X | CAPACITOR 0.1μF,16V |
| C5204 | NBE21AM-106X | T CAPACITOR 10μF,10V |
| C5205 | NCB11EK-104X | CAPACITOR 0.1μF,25V |
| C5206 | NCB21CK-104X | CAPACITOR 0.1μF,16V |
| C5207 | NCB31EK-222X | CAPACITOR 0.0022μF,25V |
| C5211 | NCB21CK-105X | CAPACITOR 1μF,16V |
| L5201 | NQL315K-100X | COIL 10μH |
| WR1 | WJM0290-001A | E-SI C WIRE C-F,C5202-MAIN WR3 |

JUNCTION BOARD ASSEMBLY <05>

| | | |
|-------|---------------|------------------------|
| PW | YB10358A-01 | JUNCTION BOARD ASSY |
| SW571 | NSW0120-002X | PUSH SWITCH,OPEN/EJECT |
| CN571 | QGF0508F1-33X | FPC CONNECTOR |
| CN572 | QGF0507F3-15X | FFC/FPC CONNECTOR |
| CN573 | QGF0505F2-11X | FPC CONNECTOR |
| CN574 | QGF0505F2-06X | FPC CONNECTOR |

JACK BOARD ASSEMBLY <06>

| | | |
|-------|-------------|------------------|
| PW | YB10357A-01 | JACK BOARD ASSY |
| IC501 | BA10358F-XE | IC |
| IC502 | RPM7138-V4 | IR DETECT UNIT |
| Q501 | RPM-22PB | PHOTO TRANSISTOR |
| D501 | SML-010LT-X | LE DIODE |
| D502 | MA8068 | ZENER DIODE |
| D504 | MA8068 | ZENER DIODE |

| # ▲ REF No. | PART No. | PART NAME, DESCRIPTION |
|-------------|---------------|-------------------------|
| D505 | MA8068 | ZENER DIODE |
| D506 | EMZ6.8N | ZENER DIODE |
| R501 | NRSA63J-103X | MG RESISTOR 10kΩ,1/16W |
| R502 | NRSA63J-684X | MG RESISTOR 680kΩ,1/16W |
| R503 | NRSA63J-182X | MG RESISTOR 1.8kΩ,1/16W |
| R504 | NRSA63J-222X | MG RESISTOR 2.2kΩ,1/16W |
| R505 | NRSA63J-103X | MG RESISTOR 10kΩ,1/16W |
| R506 | NRSA63J-824X | MG RESISTOR 820kΩ,1/16W |
| R507 | NRSA63J-104X | MG RESISTOR 100kΩ,1/16W |
| R508 | NRSA63J-683X | MG RESISTOR 68kΩ,1/16W |
| R509 | NRSA63J-822X | MG RESISTOR 8.2kΩ,1/16W |
| R510 | NRSA63J-0R0X | MG RESISTOR 0Ω,1/16W |
| R511 | NRSA63J-302X | MG RESISTOR 3kΩ,1/16W |
| R512 | NRSA63J-470X | MG RESISTOR 47Ω,1/16W |
| R513 | NRSA63J-101X | MG RESISTOR 100Ω,1/16W |
| R514 | NRSA63J-101X | MG RESISTOR 100Ω,1/16W |
| R515 | NRSA63J-0R0X | MG RESISTOR 0Ω,1/16W |
| R516 | NRSA63J-221X | MG RESISTOR 220Ω,1/16W |
| R517 | NRSA63J-331X | MG RESISTOR 330Ω,1/16W |
| R518 | NRSA63J-0R0X | MG RESISTOR 0Ω,1/16W |
| R519 | NRSA63J-0R0X | MG RESISTOR 0Ω,1/16W |
| C501 | NBE21AM-335X | T CAPACITOR 3.3μF,10V |
| C502 | NCF31CZ-104X | CAPACITOR 0.1μF,16V |
| C503 | NCB31EK-153X | CAPACITOR 0.015μF,25V |
| C504 | NCB31EK-153X | CAPACITOR 0.015μF,25V |
| C506 | NBE21AM-106X | T CAPACITOR 10μF,10V |
| C509 | NBE20JM-226X | T CAPACITOR 22μF,6.3V |
| C514 | NCB31HK-103X | CAPACITOR 0.01μF,50V |
| C515 | NCB31HK-103X | CAPACITOR 0.01μF,50V |
| L501 | NQR0251-004X | FERRITE BEAD |
| L502 | NQR0251-004X | FERRITE BEAD |
| L503 | NQR0251-004X | FERRITE BEAD |
| J501 | QNS0078-001 | 3.5 JACK |
| J503 | PEMC1203 | MINI JACK |
| CN501 | QGF0503C1-06V | FFC/FPC CONNECTOR |
| CN502 | QGF0508F1-24X | FPC CONNECTOR |
| OT1 | LY43515-001A | SHEET(IR) |

REAR BOARD ASSEMBLY <07>

| | | |
|------|--------------|------------------------------|
| PW | YB10362A-01 | REAR BOARD ASSY,A,B |
| | YB10362B-01 | REAR BOARD ASSY,E,F,G |
| D551 | EMZ6.8N | ZENER DIODE,A,B |
| D552 | EMZ6.8N | ZENER DIODE,A,B |
| D553 | MA8068 | ZENER DIODE |
| R551 | NRSA63J-0R0X | MG RESISTOR 0Ω,1/16W |
| R552 | NRSA63J-0R0X | MG RESISTOR 0Ω,1/16W |
| R553 | NRSA63J-0R0X | MG RESISTOR 0Ω,1/16W |
| R554 | NRSA63J-0R0X | MG RESISTOR 0Ω,1/16W |
| R555 | NRSA63J-331X | MG RESISTOR,A,B 330Ω,1/16W |
| R556 | NRSA63J-331X | MG RESISTOR,A,B 330Ω,1/16W |
| R557 | NRSA63J-0R0X | MG RESISTOR,E,F,G 0Ω,1/16W |
| R558 | NRSA63J-0R0X | MG RESISTOR,E,F,G 0Ω,1/16W |
| R559 | NRSA63J-0R0X | MG RESISTOR,E,F,G 0Ω,1/16W |
| R560 | NRSA63J-0R0X | MG RESISTOR 0Ω,1/16W |
| R561 | NRSA63J-0R0X | MG RESISTOR 0Ω,1/16W |
| C551 | NCF31CZ-104X | CAPACITOR 0.1μF,16V |
| WR1 | WJT0064-001A | E-CARD WIRE,CN551-MAIN CN103 |
| J551 | QNZ0557-001 | D CONNECTOR |
| J552 | QNS0152-001 | 2.5 JACK,A,B |

| # ▲ REF No. | PART No. | PART NAME, DESCRIPTION |
|-------------|---------------|------------------------|
| J553 | QNZ0497-001 | USB CONNECTOR,E,F,G |
| J554 | QNA0027-001 | DC JACK |
| CN551 | QGF0507F3-12X | FFC/FPC CONNECTOR |
| CN552 | QGA1002F1-06X | CONNECTOR |

B/W VF BOARD ASSEMBLY <08>

| | | |
|--------|-----------------|-------------------------|
| PW | YB20910A | B/W VF BOARD ASSY |
| IC7001 | MCVVQ111FB | IC |
| Q7001 | PUMX1 | PAIR TRANSISTOR |
| D7001 | NSCW100A0/ST/-X | LE DIODE |
| D7002 | MA111 | DIODE |
| R7001 | NRSA63J-103X | MG RESISTOR 10kΩ,1/16W |
| R7002 | NRSA63J-182X | MG RESISTOR 1.8kΩ,1/16W |
| R7003 | NRSA63J-183X | MG RESISTOR 18kΩ,1/16W |
| R7006 | NRVA63D-333X | CMF RESISTOR 33kΩ,1/16W |
| R7007 | NRVA63D-153X | CMF RESISTOR 15kΩ,1/16W |
| R7008 | NRVA63D-473X | CMF RESISTOR 47kΩ,1/16W |
| R7009 | NRSA63J-682X | MG RESISTOR 6.8kΩ,1/16W |
| R7010 | NRSA63J-102X | MG RESISTOR 1kΩ,1/16W |
| R7011 | NRSA63J-332X | MG RESISTOR 3.3kΩ,1/16W |
| R7012 | NRSA63J-561X | MG RESISTOR 560Ω,1/16W |
| R7013 | NRSA63J-470X | MG RESISTOR 47Ω,1/16W |
| VR7001 | NVP0016-223X | TRIM RESISTOR,GAIN |
| C7001 | NCF31CZ-104X | CAPACITOR 0.1μF,16V |
| C7002 | NCF31CZ-104X | CAPACITOR 0.1μF,16V |
| C7003 | NCB21AK-105X | CAPACITOR 1μF,10V |
| C7004 | NCB31EK-223X | CAPACITOR 0.022μF,25V |
| C7005 | NCB31EK-103X | CAPACITOR 0.01μF,25V |
| C7006 | NCF21CZ-105X | CAPACITOR 1μF,16V |
| C7007 | NCF31CZ-104X | CAPACITOR 0.1μF,16V |
| C7008 | NCF31CZ-104X | CAPACITOR 0.1μF,16V |
| C7009 | NCF31CZ-104X | CAPACITOR 0.1μF,16V |
| C7010 | NCF31CZ-104X | CAPACITOR 0.1μF,16V |
| C7011 | NCB31HK-102X | CAPACITOR 0.001μF,50V |
| C7012 | NCB31EK-103X | CAPACITOR 0.01μF,25V |
| C7013 | NCF31CZ-104X | CAPACITOR 0.1μF,16V |
| C7014 | NCF31CZ-104X | CAPACITOR 0.1μF,16V |
| C7015 | NCB31EK-103X | CAPACITOR 0.01μF,25V |
| C7016 | NCB11CK-475X | CAPACITOR 4.7μF,16V |
| C7017 | NCB10JK-106X | CAPACITOR 10μF,6.3V |
| L7001 | NQL38DK-100X | COIL 10μH |
| L7002 | NQL38DK-100X | COIL 10μH |
| CN7001 | QGF0517F1-06X | FPC CONNECTOR |
| CN7002 | QGF0517F2-20X | FPC CONNECTOR |

DSC BOARD ASSEMBLY <10> (E,F,G)

| | | |
|--------|-------------------|-----------------|
| PW | YB20915A-03 | DSC BOARD ASSY |
| IC8001 | TMS320DSC24GHK | IC |
| | or TMX320DSC24GHK | IC |
| IC8002 | K4S641632E-TC1H | IC |
| IC8003 | MBV160TE90PTA11 | IC(MICRO C ROM) |
| IC8004 | S-80842ANNP-W | IC |
| IC8007 | MM1385EN | IC |
| Q8001 | DTA114EE | TRANSISTOR |
| D8001 | RB751V-40-X | SB DIODE |

| # | △ REF No. | PART No. | PART NAME, DESCRIPTION | # | △ REF No. | PART No. | PART NAME, DESCRIPTION |
|--------|-----------|--------------|-------------------------|--------|-----------|---------------|------------------------|
| R8001 | | NRSA6AJ-103W | MG RESISTOR 10kΩ,1/16W | C8026 | | NCBA1AK-104W | CAPACITOR 0.1μF,10V |
| R8002 | | NRSA6AJ-103W | MG RESISTOR 10kΩ,1/16W | C8027 | | NCB30JK-105X | CAPACITOR 1μF,6.3V |
| R8003 | | NRSA6AJ-103W | MG RESISTOR 10kΩ,1/16W | C8028 | | NCBA1AK-104W | CAPACITOR 0.1μF,10V |
| R8005 | | NRSA6AJ-0R0W | MG RESISTOR 0Ω,1/16W | C8029 | | NBE20JM-106X | T CAPACITOR 10μF,6.3V |
| R8006 | | NRSA6AJ-153W | MG RESISTOR 15kΩ,1/16W | C8030 | | NCBA1CK-103W | CAPACITOR 0.01μF,16V |
| R8007 | | NRSA6AJ-472W | MG RESISTOR 4.7kΩ,1/16W | L8001 | | NQR0129-002X | FERRITE BEAD |
| R8009 | | NRSA6AJ-472W | MG RESISTOR 4.7kΩ,1/16W | L8002 | | NQR0129-002X | FERRITE BEAD |
| R8016 | | NRSA6AJ-103W | MG RESISTOR 10kΩ,1/16W | L8003 | | NQR0129-002X | FERRITE BEAD |
| R8017 | | NRSA6AJ-103W | MG RESISTOR 10kΩ,1/16W | L8004 | | NQR0129-002X | FERRITE BEAD |
| R8022 | | NRSA6AJ-105W | MG RESISTOR 1MΩ,1/16W | L8005 | | NQR0129-002X | FERRITE BEAD |
| R8025 | | NRSA6AJ-0R0W | MG RESISTOR 0Ω,1/16W | X8002 | | NAX0398-001X | C OSCILLATOR |
| R8026 | | NRSA6AJ-0R0W | MG RESISTOR 0Ω,1/16W | CN8001 | | QGB0501M1-80X | CONNECTOR |
| R8027 | | NRSA6AJ-152W | MG RESISTOR 1.5kΩ,1/16W | CN8002 | | QGF0508F1-10X | FPC CONNECTOR |
| R8028 | | NRS181J-270X | MG RESISTOR 27Ω,1/8W | | | | |
| R8029 | | NRS181J-270X | MG RESISTOR 27Ω,1/8W | | | | |
| R8030 | | NRSA6AJ-105W | MG RESISTOR 1MΩ,1/16W | | | | |
| R8031 | | NRSA6AJ-105W | MG RESISTOR 1MΩ,1/16W | | | | |
| R8034 | | NRSA6AJ-0R0W | MG RESISTOR 0Ω,1/16W | | | | |
| R8036 | | NRSA6AJ-105W | MG RESISTOR 1MΩ,1/16W | | | | |
| R8037 | | NRSA6AJ-103W | MG RESISTOR 10kΩ,1/16W | | | | |
| R8038 | | NRSA6AJ-220W | MG RESISTOR 22Ω,1/16W | | | | |
| R8043 | | NRSA6AJ-220W | MG RESISTOR 22Ω,1/16W | | | | |
| R8046 | | NRSA6AJ-0R0W | MG RESISTOR 0Ω,1/16W | | | | |
| R8048 | | NRSA6AJ-0R0W | MG RESISTOR 0Ω,1/16W | | | | |
| R8050 | | NRSA6AJ-0R0W | MG RESISTOR 0Ω,1/16W | | | | |
| R8051 | | NRSA6AJ-0R0W | MG RESISTOR 0Ω,1/16W | | | | |
| R8053 | | NRSA6AJ-0R0W | MG RESISTOR 0Ω,1/16W | | | | |
| R8054 | | NRSA6AJ-0R0W | MG RESISTOR 0Ω,1/16W | | | | |
| R8055 | | NRSA6AJ-0R0W | MG RESISTOR 0Ω,1/16W | | | | |
| R8057 | | NRSA6AJ-0R0W | MG RESISTOR 0Ω,1/16W | | | | |
| R8058 | | NRSA6AJ-0R0W | MG RESISTOR 0Ω,1/16W | | | | |
| R8060 | | NRSA6AJ-0R0W | MG RESISTOR 0Ω,1/16W | | | | |
| R8061 | | NRSA6AJ-0R0W | MG RESISTOR 0Ω,1/16W | | | | |
| R8062 | | NRSA6AJ-0R0W | MG RESISTOR 0Ω,1/16W | | | | |
| R8063 | | NRSA6AJ-220W | MG RESISTOR 22Ω,1/16W | | | | |
| R8065 | | NRSA6AJ-0R0W | MG RESISTOR 0Ω,1/16W | | | | |
| R8066 | | NRSA6AJ-473W | MG RESISTOR 47kΩ,1/16W | | | | |
| R8067 | | NRSA6AJ-0R0W | MG RESISTOR 0Ω,1/16W | | | | |
| R8068 | | NRSA6AJ-561W | MG RESISTOR 560Ω,1/16W | | | | |
| R8069 | | NRSA6AJ-0R0W | MG RESISTOR 0Ω,1/16W | | | | |
| R8071 | | NRSA6AJ-0R0W | MG RESISTOR 0Ω,1/16W | | | | |
| RA8001 | | NRZ0034-221W | NETWORK RESISTOR 220Ω | | | | |
| RA8002 | | NRZ0034-221W | NETWORK RESISTOR 220Ω | | | | |
| RA8003 | | NRZ0034-221W | NETWORK RESISTOR 220Ω | | | | |
| RA8004 | | NRZ0034-221W | NETWORK RESISTOR 220Ω | | | | |
| C8001 | | NBE20JM-106X | T CAPACITOR 10μF,6.3V | | | | |
| C8002 | | NBE20JM-106X | T CAPACITOR 10μF,6.3V | | | | |
| C8003 | | NBE20JM-106X | T CAPACITOR 10μF,6.3V | | | | |
| C8004 | | NCBA1AK-104W | CAPACITOR 0.1μF,10V | | | | |
| C8005 | | NCBA1AK-104W | CAPACITOR 0.1μF,10V | | | | |
| C8006 | | NBE20JM-106X | T CAPACITOR 10μF,6.3V | | | | |
| C8007 | | NCBA1AK-104W | CAPACITOR 0.1μF,10V | | | | |
| C8008 | | NCBA1AK-104W | CAPACITOR 0.1μF,10V | | | | |
| C8010 | | NCBA1AK-104W | CAPACITOR 0.1μF,10V | | | | |
| C8011 | | NCBA1AK-104W | CAPACITOR 0.1μF,10V | | | | |
| C8014 | | NCBA1AK-104W | CAPACITOR 0.1μF,10V | | | | |
| C8015 | | NCBA1AK-104W | CAPACITOR 0.1μF,10V | | | | |
| C8016 | | NCBA1AK-104W | CAPACITOR 0.1μF,10V | | | | |
| C8017 | | NCBA1AK-104W | CAPACITOR 0.1μF,10V | | | | |
| C8018 | | NCBA1AK-104W | CAPACITOR 0.1μF,10V | | | | |
| C8019 | | NCBA1AK-104W | CAPACITOR 0.1μF,10V | | | | |
| C8020 | | NCBA1AK-104W | CAPACITOR 0.1μF,10V | | | | |
| C8021 | | NBE20JM-106X | T CAPACITOR 10μF,6.3V | | | | |